
INSTALLATION INSTRUCTIONS

PIPE COVER KIT (PN 299425) – FOR USE WITH CFGWH 872, 874, 876 SERIES 627 MODELS

This instruction details the installation of the pipe cover kit onto the Rheem Electronic Continuous Flow Gas water heater models noted below (refer to the rating plate for model number).

872, 874, 876 Series 627 Models

The Pipe Cover is to be installed after the Continuous Flow water heater has been installed. The pipe cover is designed to be installed underneath the water heater to cover the pipe work and valves.

⚠ Warning: The pipe cover is not to cover the GPO. The GPO must be installed outside of the pipe cover and be readily accessible at all times.

KIT CONTENTS

The kit contains:

Item	Part No	Component Description	Qty
1	140280	Pipe cover body	1
2	140279	Pipe cover front panel	1
3	080266	Grommet 'U' 20 mm ID x 29 mm OD	2
4	-	Screw #10 x 1/2" self-tapper pan	4
-	120178	Installation instructions – pipe cover	1

Note: Refer to page 2 for the procedure covering the installation of the Pipe Cover.



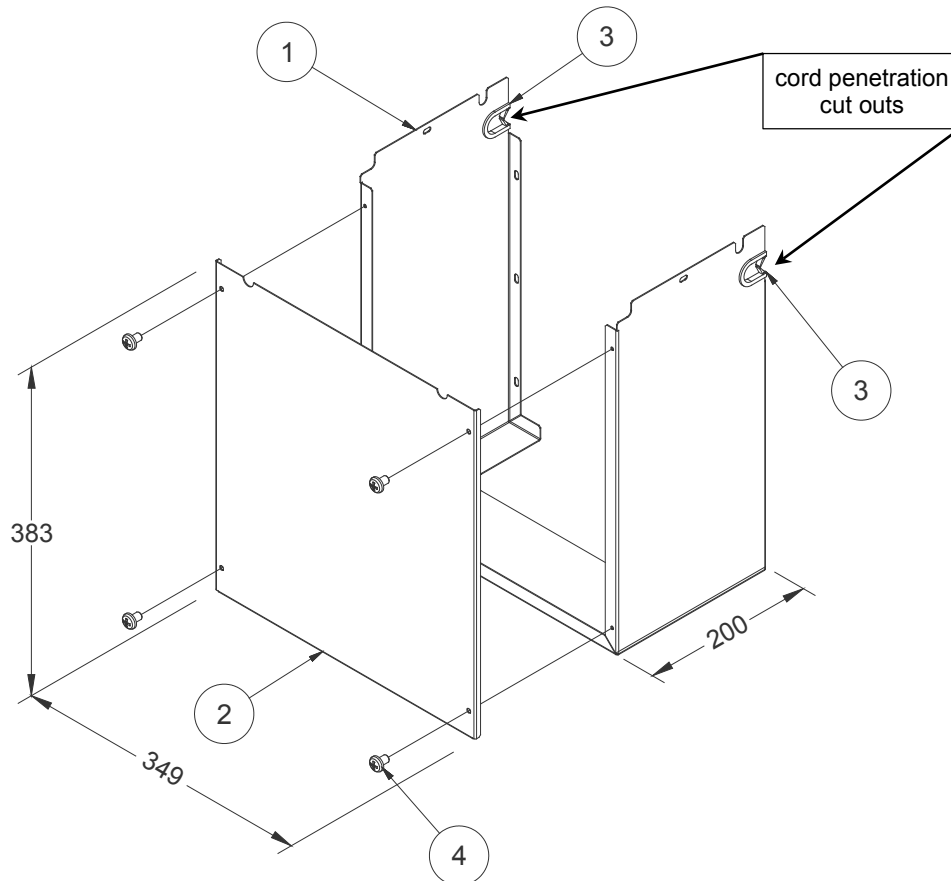
This pipe cover must be installed by a qualified person.



RHEEM AUSTRALIA PTY LTD, A.B.N. 21 098 823 511 – for Service Telephone 131 031 AUSTRALIA

RHEEM NEW ZEALAND LTD – for Service Telephone 0800 657 335 NEW ZEALAND

PIPE COVER ASSEMBLY – EXPLODED COMPONENT VIEW



INSTALLING THE PIPE COVER

1. Remove the screw at the bottom of each side of the water heater.
2. Position the pipe cover body (1) against the wall and line up the slots in the top of the side panels of the pipe cover body over the screw holes at the bottom of the sides of the water heater.
 - It may be necessary to secure the pipe cover body in position with the screws from the sides of the water heater.
3. Through the six holes on the rear vertical flanges of the pipe cover body (1), mark the position of the holes on the wall, where it is to be secured.
 - Ensure the pipe cover body is square to enable the front panel (2) to fit securely.
4. Remove the pipe cover body (1) from the water heater.
5. Select fasteners that fit the holes in the pipe cover body (1) and are suitable for the type of wall.

Refer to the fastener manufacturer's information and recommendations for the type of fastener to use for the wall type.
6. Drill holes in the wall to receive the selected fasteners.
7. Position the pipe cover body (1) against the wall and line up the slots in the top of the side panels of the body over the screw holes at the bottom of each side of the water heater.
 - Prior to securing the pipe cover body to the water heater, feed its power cord through one of the cord penetration cut outs at the top rear of either side of the pipe cover body to suit the installation.
 - ⚠ **Warning:** The pipe cover is not to cover the GPO. The GPO must be installed outside of the pipe cover and be readily accessible at all times.
 - Secure the pipe cover body to the water heater with the screws from the sides of the water heater.
8. Using the selected fasteners, secure the pipe cover body (1) to the wall.
9. Secure the front panel (2) to the pipe cover body (1) with the four screws (4) provided.