



AMBIHEAT HDc-270 270L HEAVY DUTY HEAT PUMP

PLATINUM SERIES



AMBIHEAT HDc-270 270L HEAVY DUTY HEAT PUMP

AMBIHEAT HDc-270 Heat Pump is a smart, energy efficient alternative for areas where a traditional solar water heater may not be suitable. It uses the heat from the surrounding air to heat your water and provides a reliable, efficient and sustainable way to reduce your water heating energy consumption.

A Heat Pump works day and night as it extracts heat from the surrounding air and doesn't rely on direct sunlight to operate.



FEATURES

- Advanced wrap around microchannel heating technology for uniform and faster water heating
- Suitable for cold climates with an operating range from -5°C to +43°C⁵
- Suitable for harsh water conditions²
- Can save up to 68% on your water heating energy consumption compared to an electric water heater in Zone 3³
- High recovery rate
- 2.4kW back-up element
- User-friendly touch screen LED display
- Eligible for STCs
- 7 year cylinder warranty⁴
- Suitable for 2 to 5 people

WHY CHOOSE RHEEM HEAT PUMP?

AMBIHEAT Heat Pump has been designed and tested to withstand the harsh Australian conditions:

Enamel lined water tank: The enamel coating reduces the risk of corrosion and water leakage.

Microchannel technology: Provides a larger contact area for more efficient water heating.

Side fan design: A design that provides maximum airflow and protects from the rain.

Durable top cover: With its durable ABS and ASA* top cover, the unit can easily withstand all weather conditions.

Smart LED controller display: A bright interactive LED touchscreen display putting control at your fingertips.

COP – The Coefficient of Performance for a Heat Pump is the ratio of how much useful heat it produces for water heating to the power input into the water heater. The higher the COP number, the more efficient the Heat Pump is.

Ambient Air Temperature and Humidity – The performance of a Heat Pump changes with ambient air temperature, humidity and incoming water temperature. The warmer the air temperature, the higher the Relative Humidity and the cooler the water temperature, the higher is the heating rate of the Heat Pump. Performance specifications stated in relation to the Heat Pump are measured at predefined conditions during its testing.

Average Heating Capacity (kW) – This is how much heating power is put into the water during the heating cycle. It is expressed as an average due to the changes in heating power from the refrigeration cycle as the water is being heated and its temperature increases during the heating cycle.

Recovery Rate @ 45°C rise (L/hr) – Is the number of litres of water that can be heated through a 45°C temperature rise in one hour, e.g. when the air temperature is 19°C, the Heat Pump can heat 77 litres of 15°C to 60°C in one hour.

* Acrylonitrile Butadiene Styrene (ABS) is an opaque thermoplastic and amorphous polymer and Acrylonitrile Styrene Acrylate (ASA), also called Acrylic Styrene Acrylonitrile, is an amorphous thermoplastic with improved weather resistance.

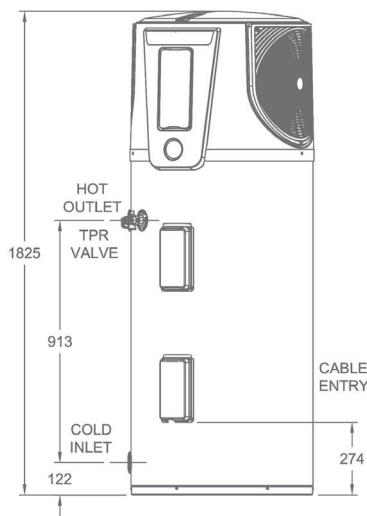
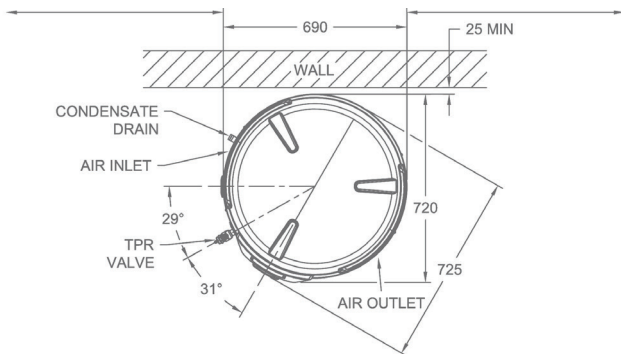




AMBIHEAT HDc-270 270L HEAVY DUTY HEAT PUMP

350mm minimum distance from air inlet to wall or obstruction measured horizontally along wall. 900mm minimum recommended for service.

1000mm minimum distance from air inlet to wall or obstruction measured horizontally along wall. 900mm minimum recommended for service.

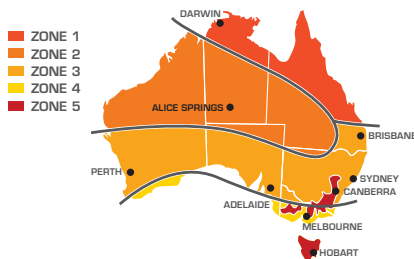


PRODUCT INFORMATION

MODEL	UNIT	Hdc-270
System		551270
Storage capacity	litres	270
Boost capacity	litres	195
Rated Heat Pump power input	watts	985
Element rating	kW	2.4
Coefficient of Performance (COP) ¹		4.5
Noise Level @ 1 metre ⁶	dB(A)	47
People per household		2 to 5
Dimensions & specifications		
Tank height	mm	1825
Tank width	mm	690
Tank depth	mm	720
Heater weight - empty	kg	135
Heater weight - full	kg	305
Refrigerant		R134a
Water connections & settings		
Inlet		Rp 3/4
Outlet		Rp 3/4
Temp Press Relief (TPR) Valve setting	kPa	1000
Expansion Control Valve (ECV) setting	kPa	850
Maximum mains supply pressure		
With expansion control valve	kPa	680
Without expansion control valve	kPa	800

HEAT PUMP PERFORMANCE SPECIFICATIONS				
Ambient air temperature	Relative humidity	Recovery rate @ 45°C rise (L/hr)	Average heating capacity (kW)	Coefficient of Performance (COP)
7°C	87%	54	2.8	3.6
19°C	66%	77	3.9	4.5
32°C	38%	90	4.7	4.8

BACK-UP ELEMENT RECOVERY RATE @ 240 V TEMPERATURE RISE OF				
Rating (kW)	Current (Amps)	30°C (litres/hour)	40°C (litres/hour)	50°C (litres/hour)
2.4	15	69	52	41



STCs

Small-scale Technology Certificates (STCs) provide a financial incentive to encourage the installation of solar and Heat Pump water heaters provided under a Federal Government legislated scheme.

This map shows the climate Zones within Australia which will define the number of STCs allocated to an approved Heat Pump water heater. Your installation may be eligible³.

For more information on STCs visit www.rheem.com.au/rheem/help/offers-and-incentives/stcs

- A COP of 4.5 was measured under test conditions with an ambient air temperature of 19°C/15°C (Dry Bulb/Wet Bulb) and heating of the water from 15°C to 60°C during water heater operation.
 - Warranty limits regarding water chemistry. Harsh water regions – the Rheem warranty may not apply if the water heater is connected to a water supply which has a Total Dissolved Solids content >2500mg/L; is scaling with a Saturation Index >+0.8, or; is corrosive with a Saturation Index <-1.0.
 - Energy savings of up to 68% are based on Australian Government approved TRNSYS simulation modelling using a medium load in Zone 3 and apply when replacing an electric water heater of similar size with a Rheem 551270 Heat Pump water heater. Any savings will vary depending upon your location, type of water heater being replaced, hot water consumption and fuel tariff. The impact on an electricity account will depend on the tariff arrangement of the water heater being replaced and where you live. This Heat Pump water heater (climate dependent) is recommended for connection to either a 24 hour continuous tariff or an extended off-peak (min. 16 hours/day). If replacing an electric water heater greater than 250 litres, Heat Pump connection to a 24 hour continuous tariff is recommended. Before purchase consult your energy provider for more information on cost comparisons.
 - Warranty Periods: 7 years supply on cylinder, 3 years labour on cylinder, 3 years supply on sealed system including labour, 1 year supply and labour on all other parts. Applies to a single family domestic dwelling only. Conditions apply. See the Rheem warranty set out in the Owner's Guide and Installation Instructions or view at www.rheem.com.au/warranty.
 - The specified -5°C to 43°C temperature range is the operational range of the Heat Pump. The electric element activates when the ambient air temperature is outside this range and heating of the water is required.
 - Noise Level – A noise level of 47 dB(A) was measured at 1 m from the water heater during a Noise Test conducted to Standard GB/T 23137-2008 in a hemi-anechoic chamber within a laboratory. The noise level when installed may be higher due to sound reflections from adjacent walls and structures.
- Materials and specifications are subject to change without notice.



© Registered Trademark of Rheem Australia Pty Ltd.

™ Trademark of SAI Global.

Rheem Australia Pty Ltd.
 1 Alan Street, Rydalmere, NSW 2116 Australia
 PO Box 7508, Silverwater NSW 2128 Australia
www.rheem.com.au

July 2022

