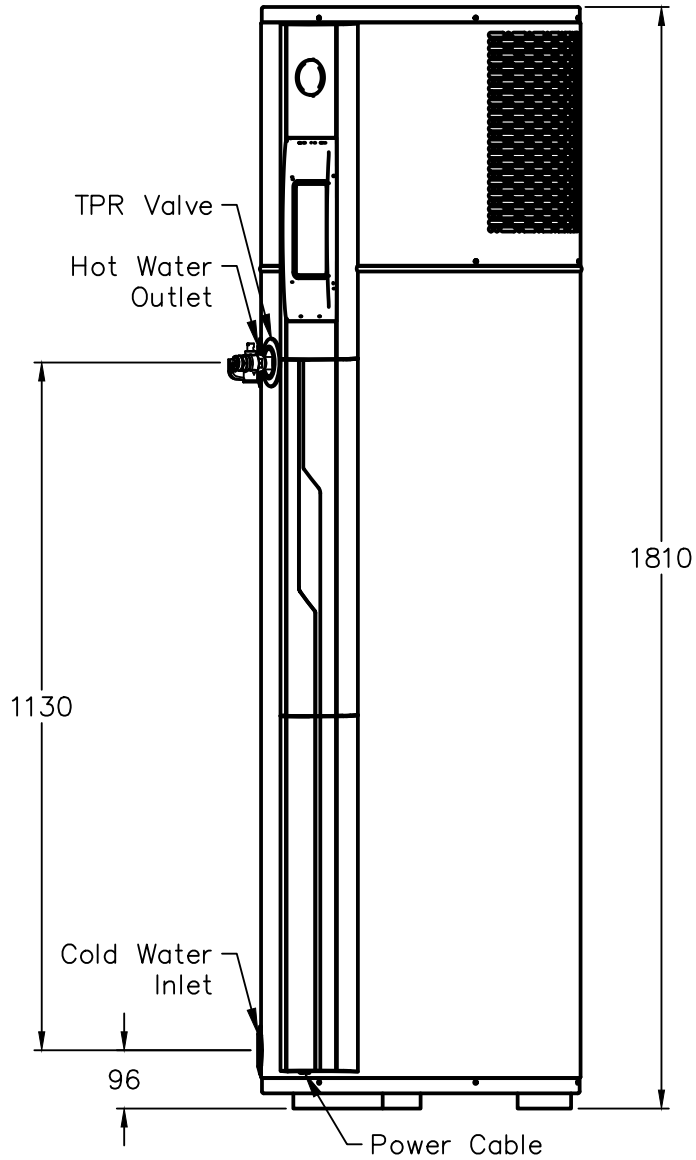
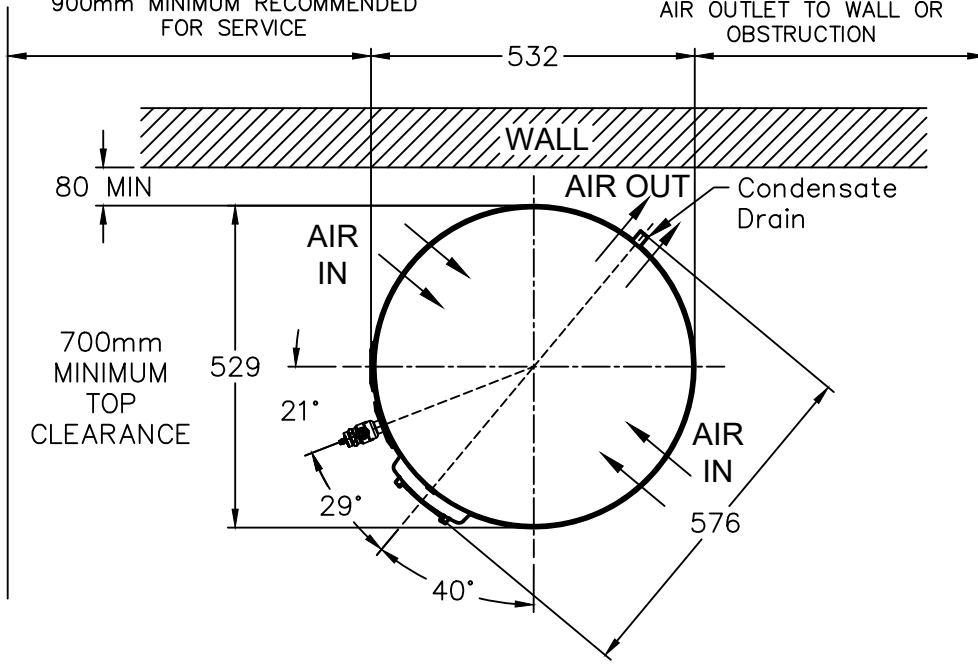


500mm MINIMUM DISTANCE
(PARALLEL TO REAR WALL)
AIR INLET TO WALL OR OBSTRUCTION
900mm MINIMUM RECOMMENDED
FOR SERVICE

850mm MINIMUM DISTANCE
(PARALLEL TO REAR WALL)
AIR OUTLET TO WALL OR
OBSTRUCTION



DIMENSIONS 551180 HEAT PUMP WATER HEATER