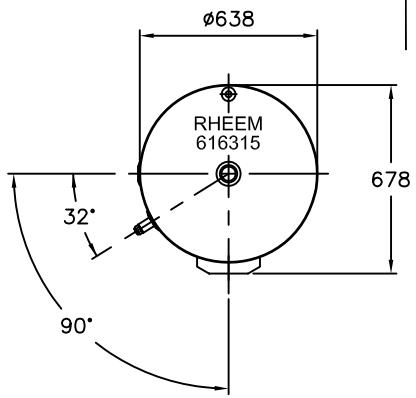
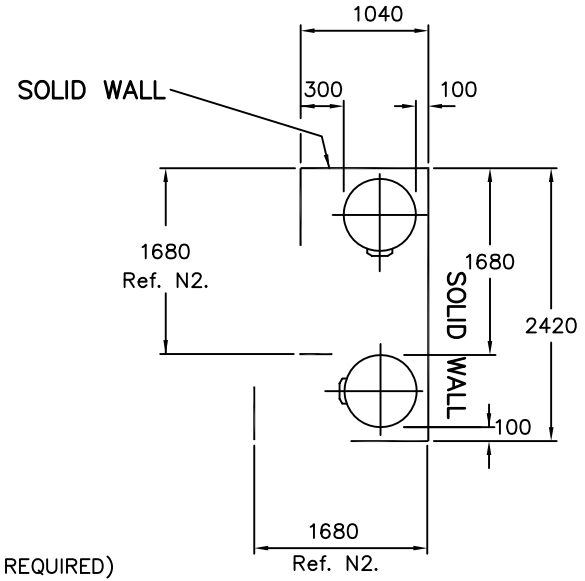
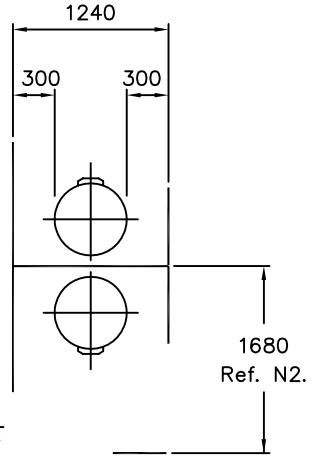
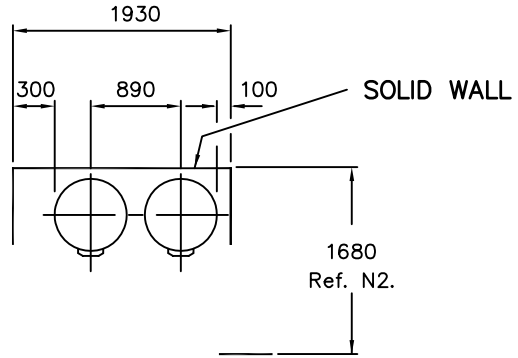
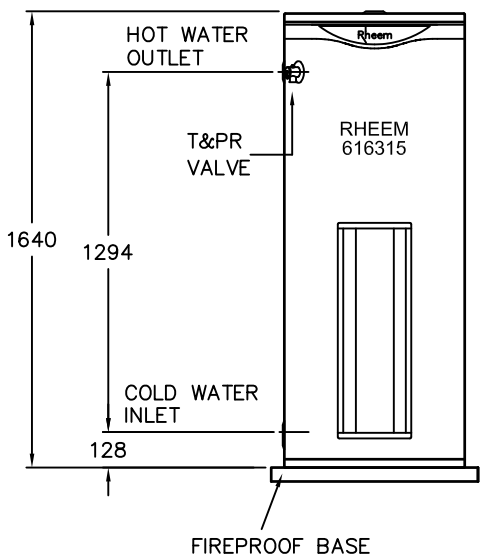


INDOOR AND OUTDOOR MODEL

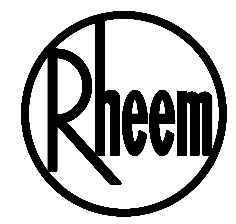
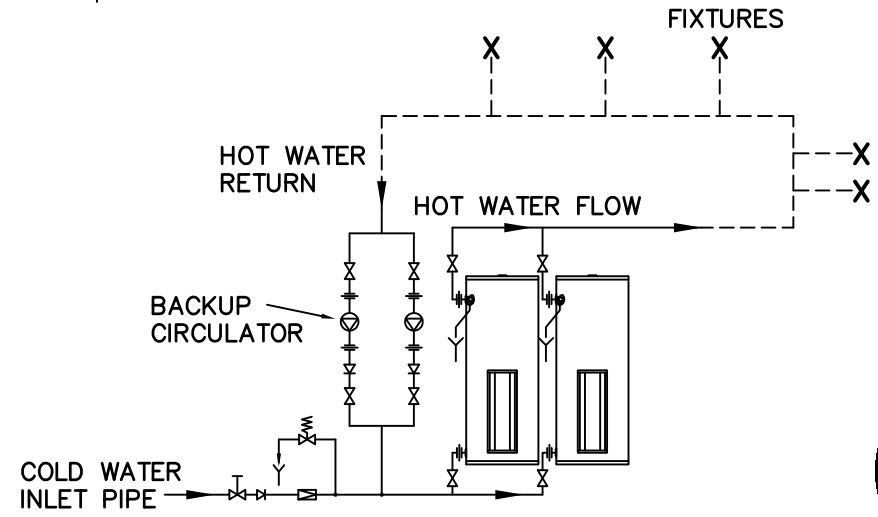


LEGEND

- ⊞ STOP COCK
- ⊞ NON RETURN VALVE
- ⊞ PRESSURE LIMITING VALVE (IF REQUIRED)
- ⊞ COLD WATER RELIEF VALVE
- ⊞ GATE VALVE
- ⊞ CIRCULATOR
- ⊞ FIXTURES
- DIRECTION OF FLOW
- ⊞ UNION
- ⊞ TUNDISH

INLET OUTLET CONNECTIONS:-
 RP 1 1/4 / 32
T&PR VALVE CONNECTIONS:-
 RP 3/4 / 20
T&PR VALVE SETTING:-
 1000 kPa

- NOTES:**
- N1. MINIMUM SPACE BETWEEN WALL AND BACK OF WATER HEATER IS 100mm.
 - N2. A MINIMUM OF 900mm SHOULD BE LEFT IN FRONT OF THE WATER HEATER FOR ACCESS, SERVICING AND WATER HEATER REMOVAL.



RHEEM WATER HEATERS HEAVY DUTY ELECTRIC 2 x 616315