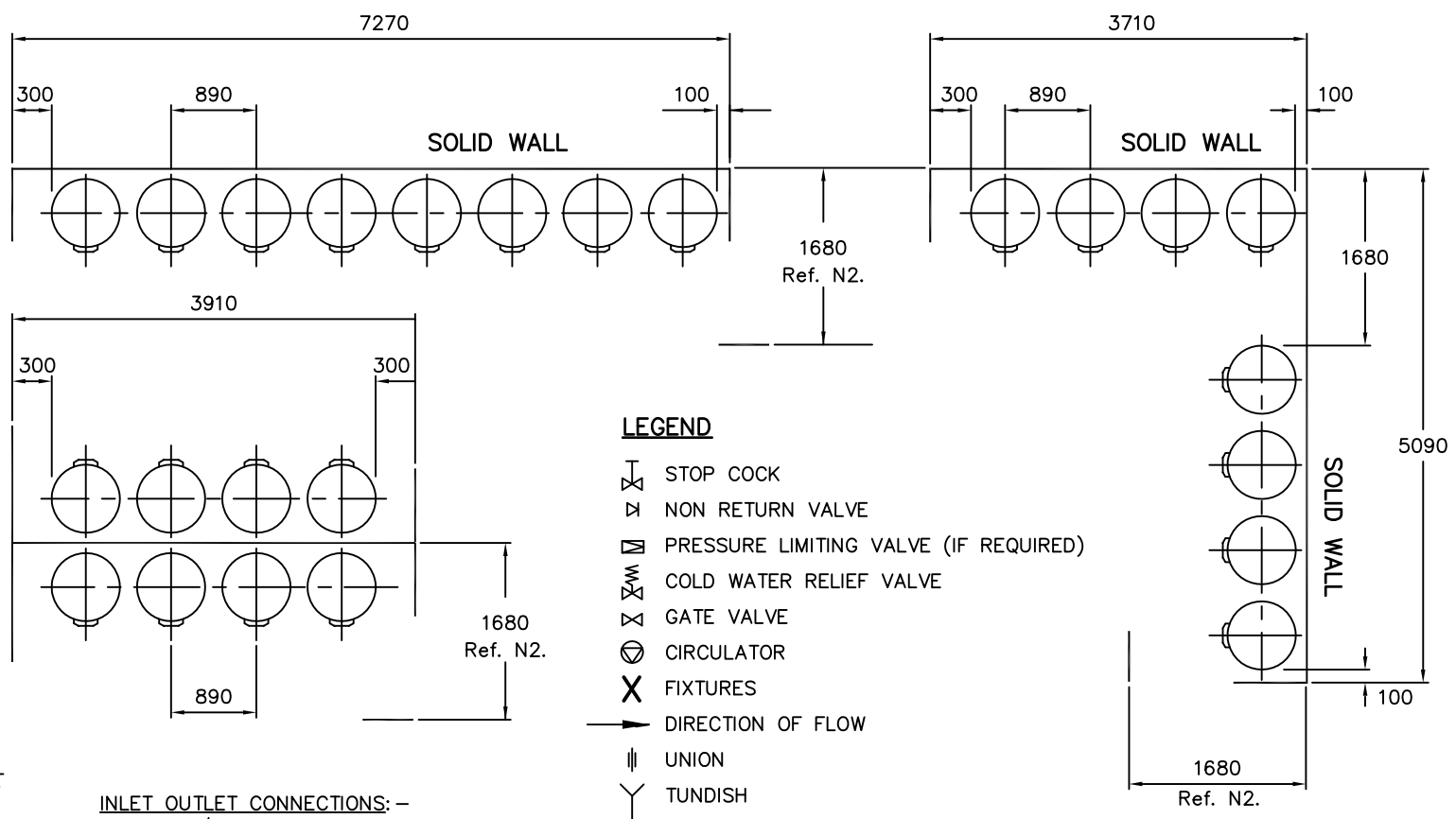
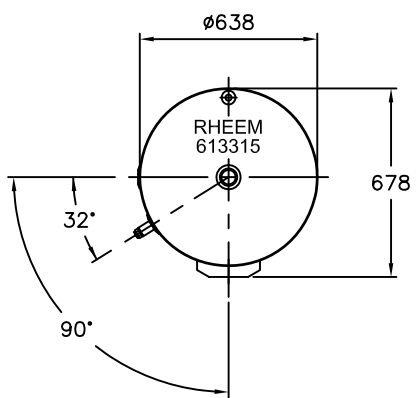
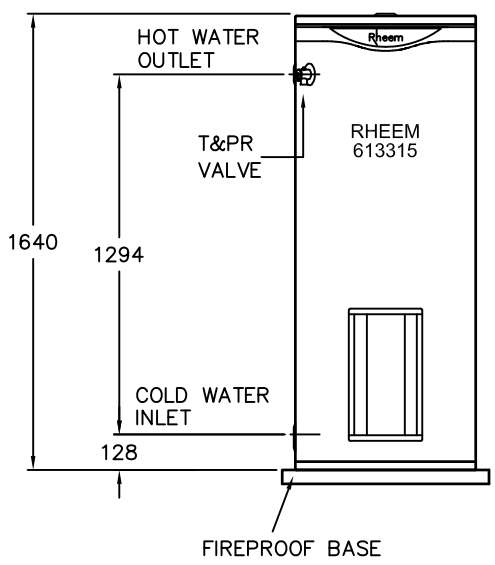


**INDOOR AND OUTDOOR MODEL**



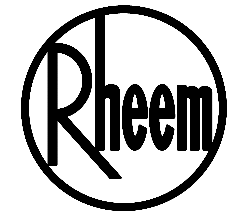
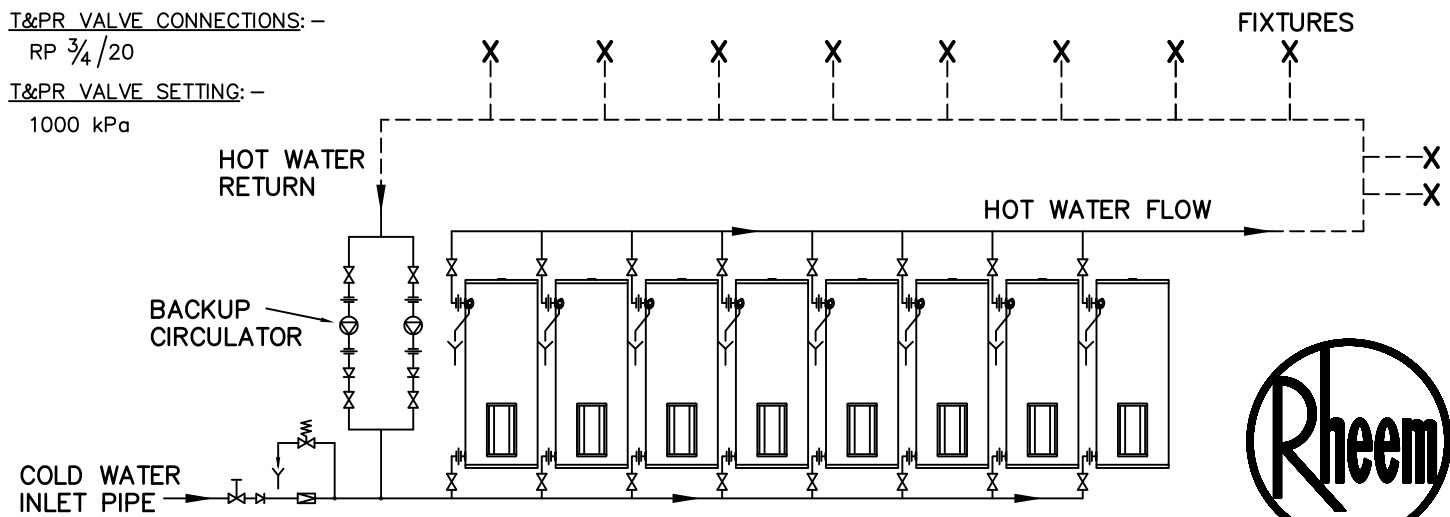
**LEGEND**

- STOP COCK
- NON RETURN VALVE
- PRESSURE LIMITING VALVE (IF REQUIRED)
- COLD WATER RELIEF VALVE
- GATE VALVE
- CIRCULATOR
- FIXTURES
- DIRECTION OF FLOW
- UNION
- TUNDISH

- INLET OUTLET CONNECTIONS: -**  
 RP 1 1/4 / 32
- T&PR VALVE CONNECTIONS: -**  
 RP 3/4 / 20
- T&PR VALVE SETTING: -**  
 1000 kPa

**NOTES:**

- N1. MINIMUM SPACE BETWEEN WALL AND BACK OF WATER HEATER IS 100mm.
- N2. A MINIMUM OF 900mm SHOULD BE LEFT IN FRONT OF THE WATER HEATER FOR ACCESS, SERVICING AND WATER HEATER REMOVAL.



**RHEEM WATER HEATERS HEAVY DUTY ELECTRIC 8 x 6133315**