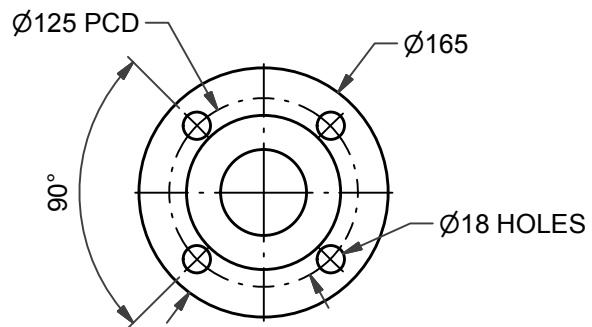
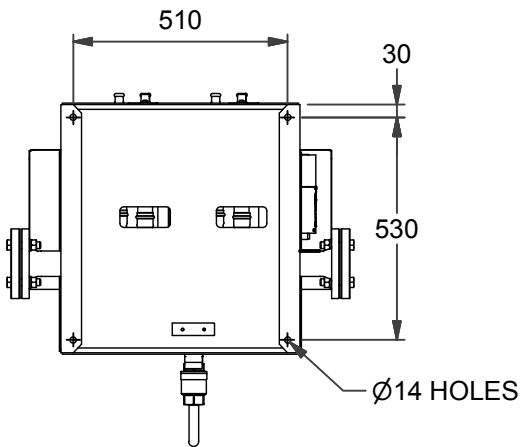
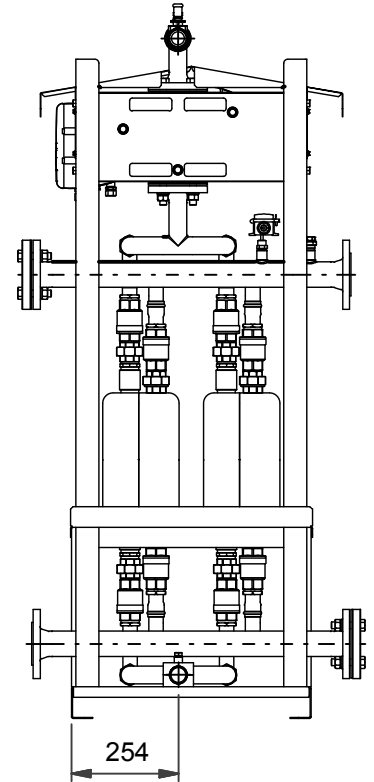
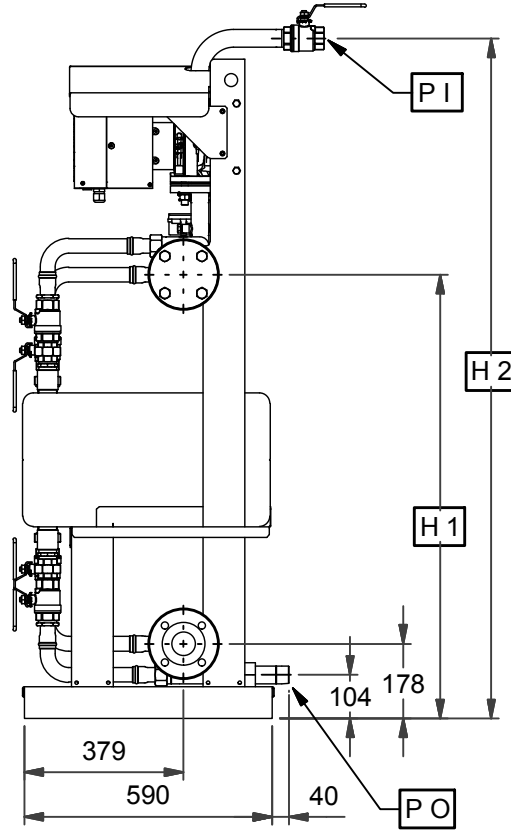
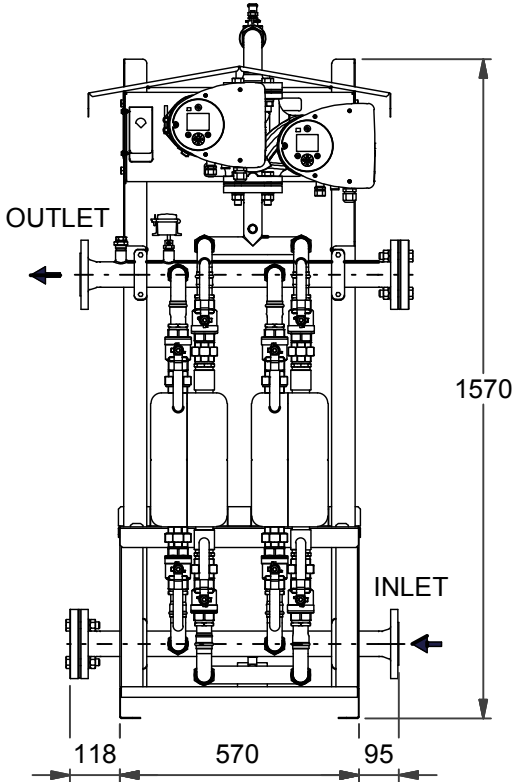


RHEEM MODEL No	MODEL TYPE	DIM. 'H 1'	DIM. 'H 2'	PRIMARY INLET 'P I'	PRIMARY OUTLET 'P O'	NETT WEIGHT
RD200D701	200 kW	877	1440	Rc1 1/4	R1 1/4	143 kg
RD400D701	400 kW	930	1493	Rc1 1/4	R1 1/4	152 kg
RD600D701	600 kW	993	1556	Rc1 1/4	R1 1/4	161 kg
RD800D701	800 kW	1056	1619	Rc1 1/4	R1 1/4	171 kg



FLANGE DETAIL  
(EN 1092-1/11/B1/DN50/PN40)

## RHEEM DELIVERY SKID DIMENSIONAL DRAWING