

SERVICE CONNECTIONS PROVIDED:

- (1) HOT WATER OUT
40MM BSP FEMALE BRASS BALL VALVE.
- (2) NATURAL GAS/LPG INLET
40MM BSPT-MALE.
- (3) COLD WATER IN.
40MM BSP FEMALE BRASS BALL VALVE/STRAINER COMBINATION.
- (4) HOT WATER RETURN.
25MM BSP FEMALE BRASS BALL VALVE/STRAINER COMBINATION.
- (5) PRESSURE RELIEF VALVE
20MM BSP FEMALE TO DRAINAGE.

POWER SUPPLY

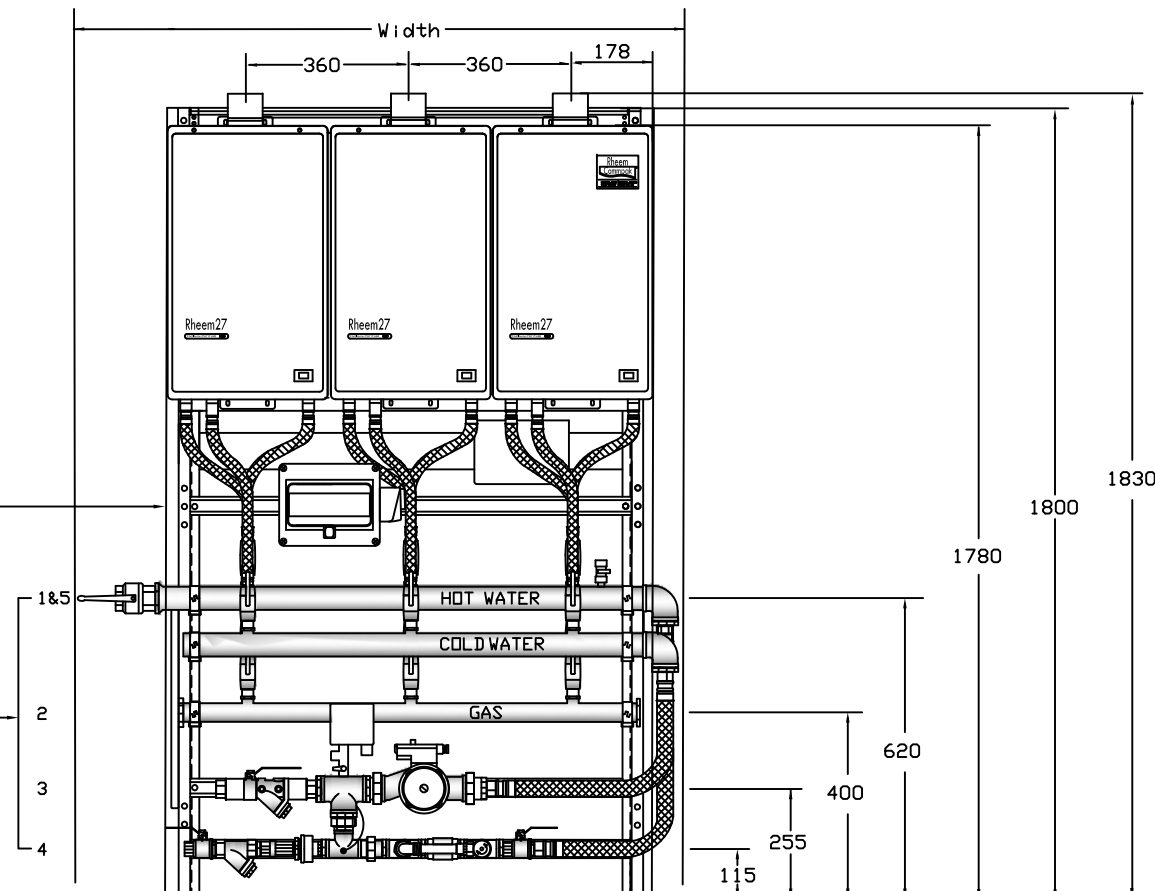
REQUIREMENTS : 240V/1PH/50Hz - 16A TYPE C OR D CURVE UP FRONT PROTECTION.
 PROVIDED : IP55 CONTROL BOX PRE-WIRED TO WATER HEATERS & PUMP.

NOTES :

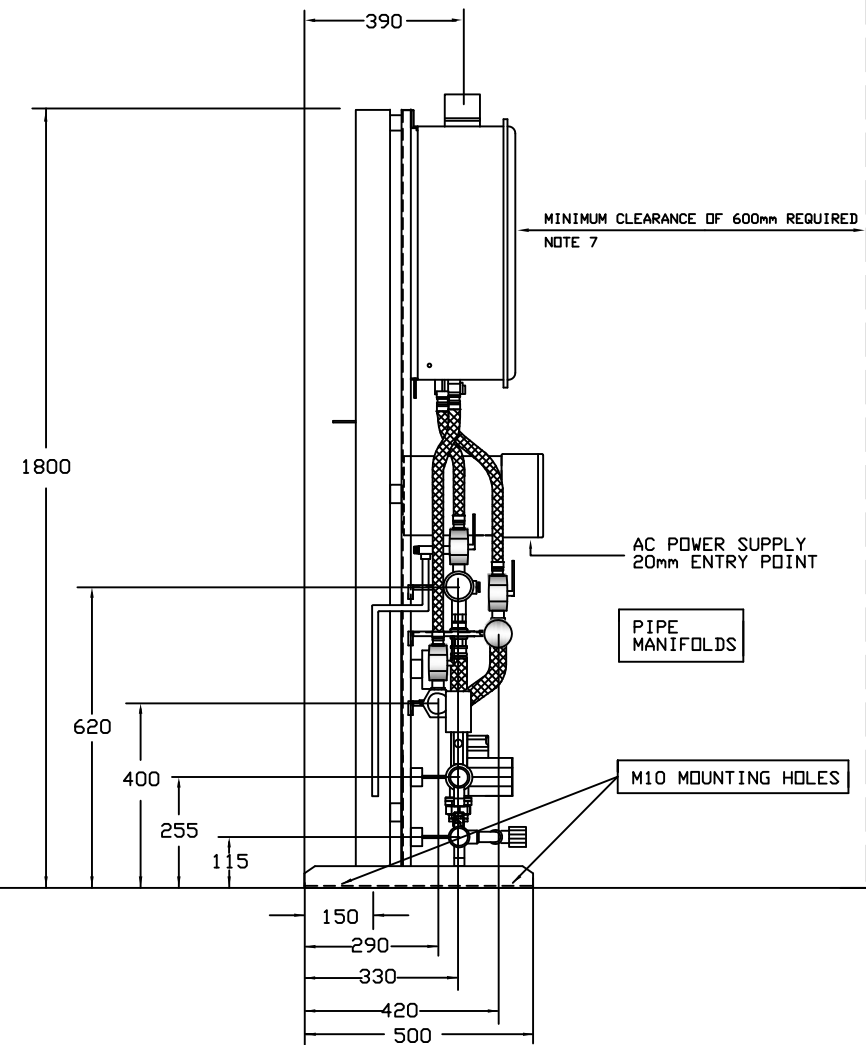
- 1. THIS UNIT IS SUITABLE FOR A FLOW & RETURN OR DEAD LEG SYSTEM.
- 2. IP55 CONTROL BOX COMPLETE WITH GENERAL PURPOSE 240VAC POWER OUTLET(S) PRE-WIRED.
- 3. NATURAL GAS/LPG WITH APPROPRIATE PIPE SIZE AS PER AS5601 SHALL BE PROVIDED BY OTHERS.
- 4. WATER PIPE SIZING TO THIS PACKAGE SHALL BE BY OTHERS IN ACCORDANCE WITH AS3500 FOR THE GIVEN HOT WATER FLOW BY OTHERS.
- 5. ALL DIMENSIONS ARE IN MM UNLESS OTHERWISE SPECIFIED.
- 6. PACKAGE SUITABLE FOR INTERNAL INSTALLATION ONLY.
- 7. SPACING - ALLOW AT LEAST 600MM CLEARANCE FOR ACCESS.
- 8. REFER TO OPERATION MANUAL FOR OTHER DETAILS.
- 9. DRAWING SUBJECT TO CHANGE WITHOUT NOTICE.

FRONT VIEW

Model	CPI02	CPI03	CPI04	CPI05	CPI06
Width (mm)	1330	1330	1690	2050	2410



SIDE VIEW



No	DATE	REVISION	BY	CHECKED	APPROVED FOR CONSTRUCTION
0	07/05	ORIGINAL ISSUE	PD	RH	
1	03/06	ADDED CLIENT DETAILS	PD	RH	
2	10/06	CHANGED DESIGN	PD	RH	
3	02/10	27 LITRE WATER HEATERS & OTHER DESIGN UPGRADES	PD	RH	
4	08/10	27 LITRE INTERNAL WATER HEATERS DESIGN UPGRADES	SL	RH	
5	11/11	DIMENSIONAL UPDATES	SL	RH	

RHEEM AUSTRALIA P/L

1 Alan St
 Rydalmere NSW, 2116
 email : commercialsales@rheem.com.au
 rheem.com.au

DESCRIPTION:
 Rheem Compak - CPI02 - CPI06
 Commercial Mains Pressure
 Single Pump Internal Hotwater System

DESIGNED	DRAWN	DATE	SCALE	DRAWING No.	REVISION	
RH	SL	11/11	N. T. S	CP-SI	5	A1