

**SERVICE CONNECTIONS PROVIDED:**

- (1) HOT WATER OUT  
40MM BSP FEMALE BRASS BALL VALVE.
- (2) NATURAL GAS/LPG INLET.  
40MM BSPT-MALE.
- (3) COLD WATER IN.  
40MM BSP FEMALE BRASS BALL VALVE/STRAINER COMBINATION.
- (4) HOT WATER RETURN.  
25MM BSP FEMALE BRASS BALL VALVE/STRAINER COMBINATION.
- (5) PRESSURE RELIEF VALVE  
20MM BSP FEMALE TO DRAINAGE.

**POWER SUPPLY**

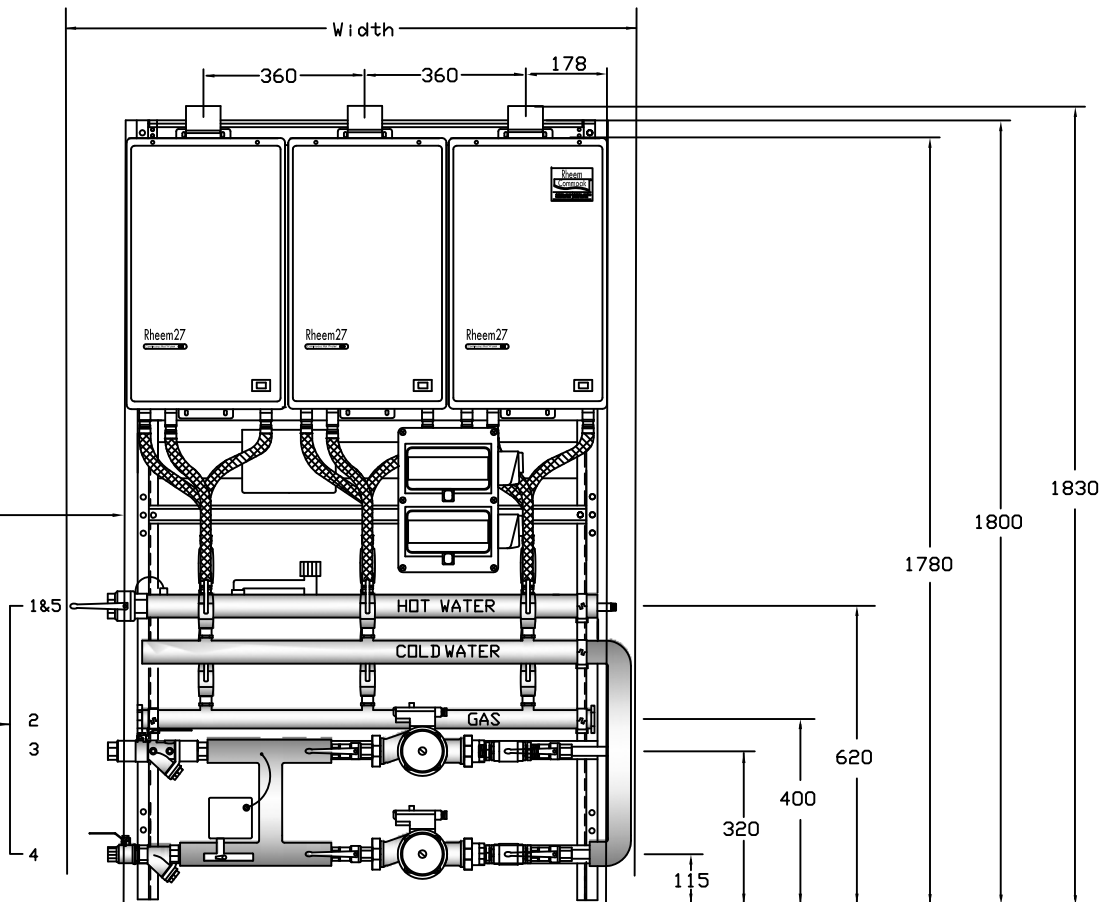
REQUIREMENTS : 240V/1PH/50Hz - 16A TYPE C OR D CURVE UP FRONT PROTECTION.  
 PROVIDED : IP55 CONTROL BOX PRE-WIRED TO WATER HEATERS & PUMP.

**NOTES :**

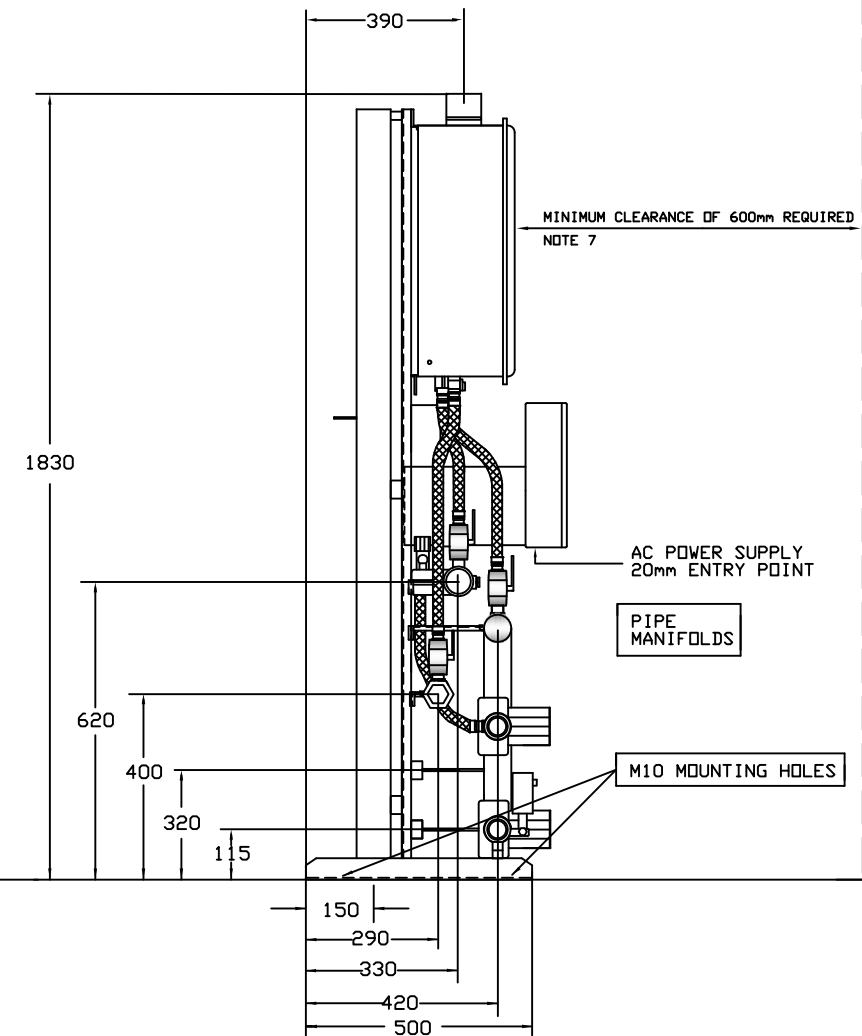
- 1. THIS UNIT IS SUITABLE FOR A FLOW & RETURN OR DEAD LEG SYSTEM.
- 2. IP55 CONTROL BOX COMPLETE WITH GENERAL PURPOSE 240VAC POWER OUTLET(S) PRE-WIRED.
- 3. NATURAL GAS/LPG WITH APPROPRIATE PIPE SIZE AS PER AS5601 SHALL BE PROVIDED BY OTHERS.
- 4. WATER PIPE SIZING TO THIS PACKAGE SHALL BE BY OTHERS IN ACCORDANCE WITH AS3500 FOR THE GIVEN HOT WATER FLOW BY OTHERS.
- 5. ALL DIMENSIONS ARE IN MM UNLESS OTHERWISE SPECIFIED.
- 6. PACKAGE SUITABLE FOR INTERNAL INSTALLATION ONLY.
- 7. SPACING - ALLOW AT LEAST 600MM CLEARANCE FOR ACCESS.
- 8. REFER TO OPERATION MANUAL FOR OTHER DETAILS.
- 9. DRAWING SUBJECT TO CHANGE WITHOUT NOTICE.

**FRONT VIEW**

Model	CPI02	CPI03	CPI04	CPI05	CPI06
Width (mm)	1330	1330	1690	2050	2410



**SIDE VIEW**



No	DATE	REVISION	BY	CHECKED	APPROVED FOR CONSTRUCTION
0	07/05	ORIGINAL ISSUE	PD	RH	
1	03/06	ADDED CLIENT DETAILS	PD	RH	
2	10/06	CHANGED DESIGN	PD	RH	
3	02/10	27 LITRE WATER HEATERS & OTHER DESIGN UPGRADES	PD	RH	
4	08/10	27 LITRE INTERNAL WATER HEATERS DESIGN UPGRADES	SL	RH	
5	11/11	DIMENSIONAL UPDATES	SL	RH	

RHEEM AUSTRALIA P/L

1 Alan St  
 Rydalmere NSW, 2116  
 email : [commercialsales@rheem.com.au](mailto:commercialsales@rheem.com.au)  
[rheem.com.au](http://rheem.com.au)

DESCRIPTION					
Rheem Commpak - CPI02 - CPI06 Commercial Mains Pressure Dual Pumps Internal Hotwater System					
DESIGNED	DRAWN	DATE	SCALE	DRAWING No.	REVISION
RH	SL	11/11	N. T. S	CP-DI	5