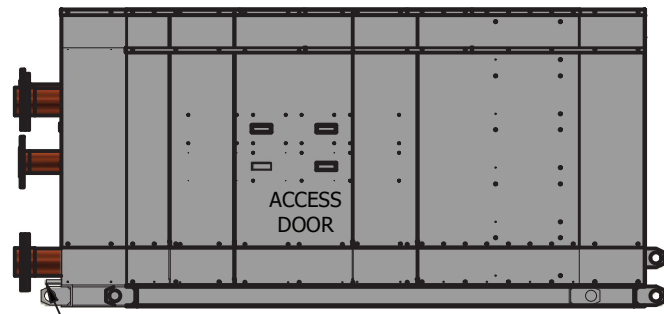


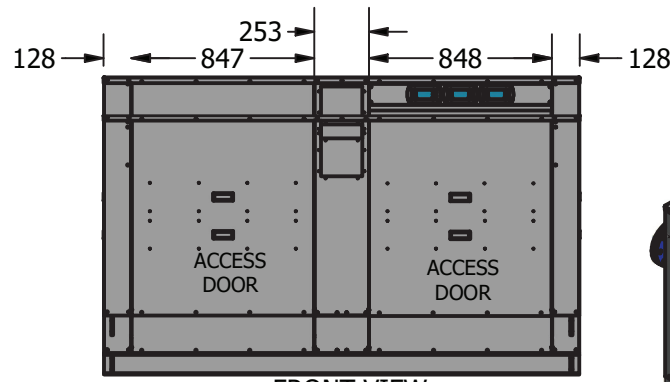
TOP VIEW



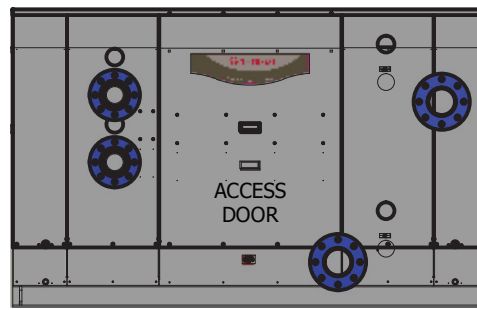
SIDE VIEW  
DRAIN PIPES  
2 x Ø25mm



SIDE VIEW  
2886

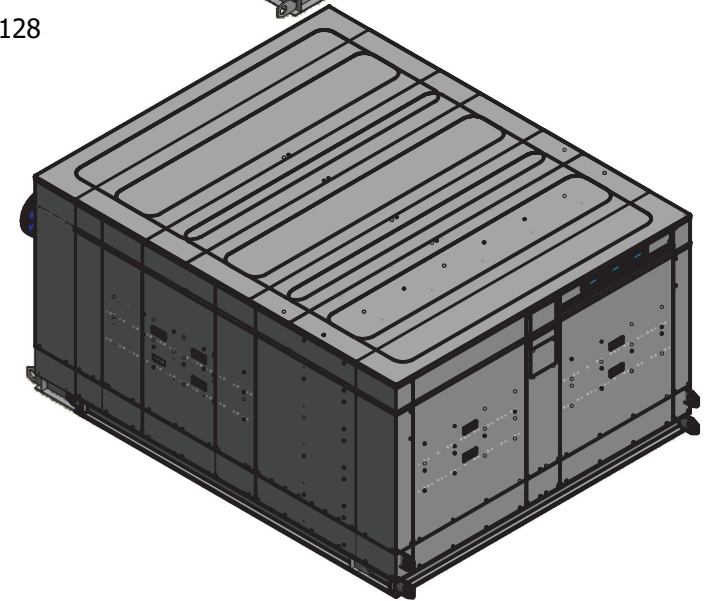
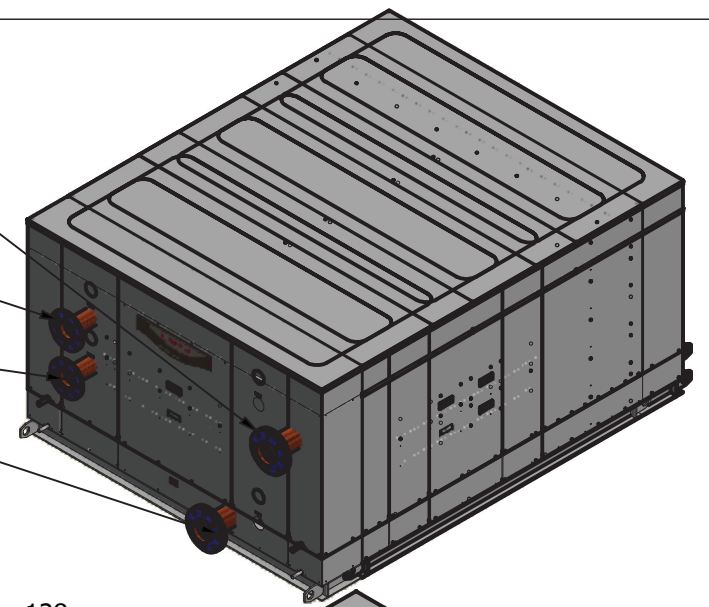


FRONT VIEW



BACK VIEW

HOT OUTLET  
COOL INLET  
COOL OUTLET  
HOT INLET



Rheem

THERMAL SYSTEMS GROUP

SHEET 1 OF 4

<b>Description:</b>		RTS W2W HWHP 213kW R134a 3P	
<b>Part No:</b>	955213#DV-DQ-1	<b>Rev.</b>	
<b>Material:</b>	As Above	<b>Date:</b>	12/04/2023
<b>Drawn By:</b>	JPB	<b>Checked By:</b>	
<b>General Tolerance:</b>	Sheetmetal - Cut Size - ± 0.5mm, Angle - ± 0.5°, Bend size - ± 0.3mm Tubes - Dimensions ± 2, Angle ± 2°		<b>Scale:</b> N.T.S

REV	ECN	DESCRIPTION	DATE