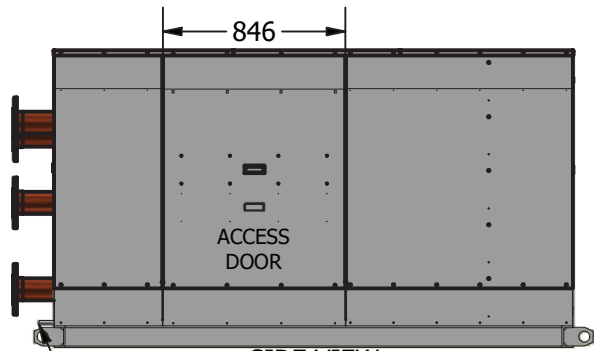
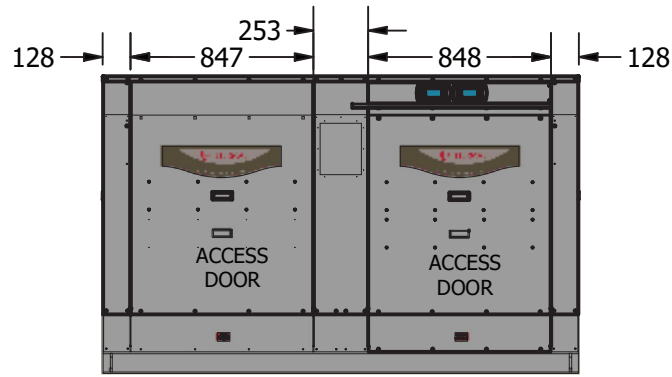


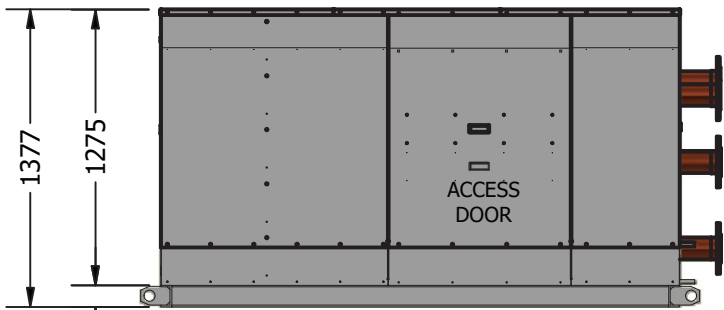
TOP VIEW



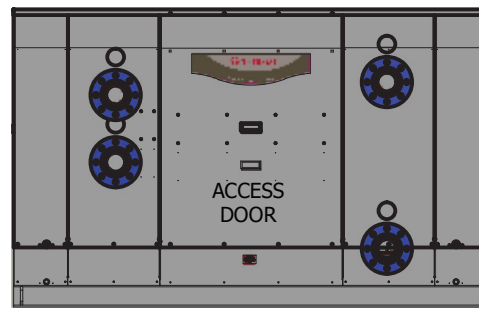
DRAIN PIPES SIDE VIEW
2 x Ø25mm



FRONT VIEW



SIDE VIEW
2586



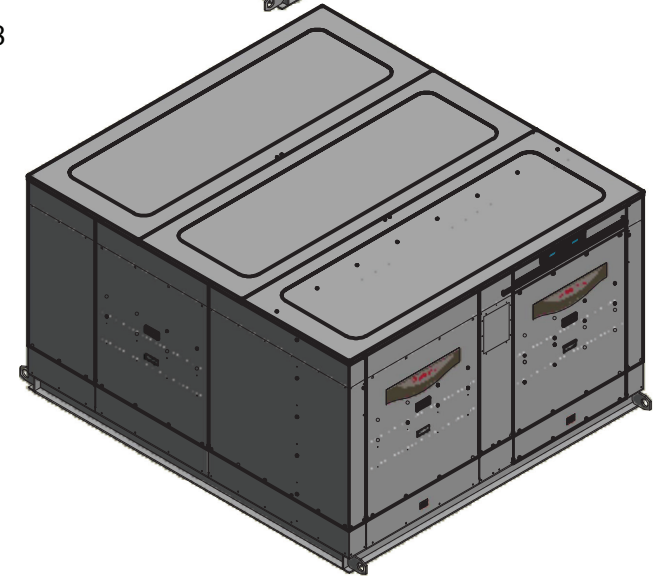
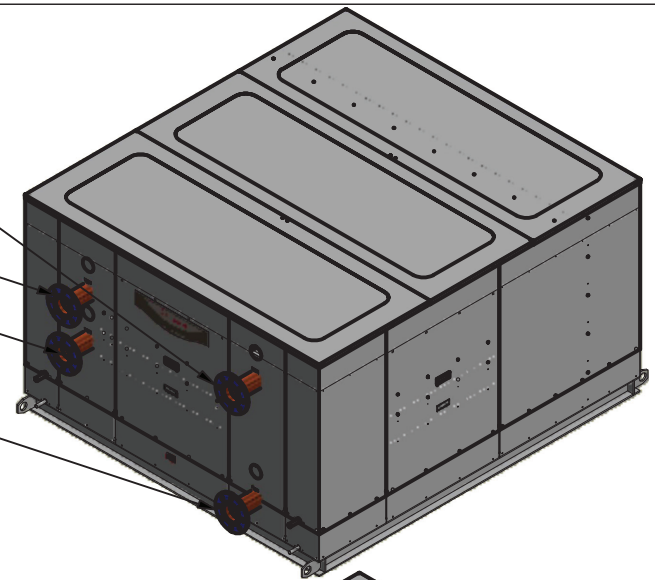
BACK VIEW

HOT OUTLET

COOL INLET

COOL OUTLET

HOT INLET



Rheem

THERMAL SYSTEMS GROUP

SHEET 1 OF 4

Description:		RTS W2W HWHP 176kW R134a 3P	
Part No:	955176#DV-DQ-1	Rev.	
Material:	As Above	Date:	13/04/2023
Drawn By:	JPB	Checked By:	
General Tolerance:	Sheetmetal - Cut Size - ± 0.5mm, Angle - ± 0.5°, Bend size - ± 0.3mm Tubes - Dimensions ± 2, Angle ± 2°		Scale: N.T.S

REV	ECN	DESCRIPTION	DATE