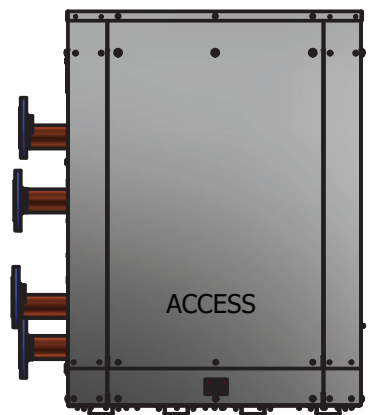
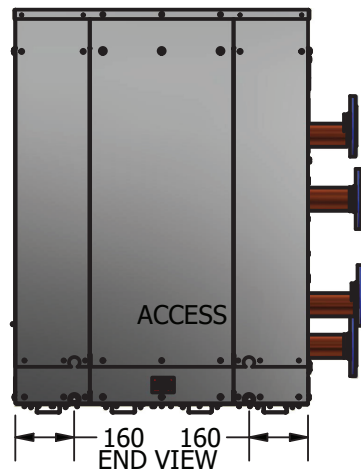
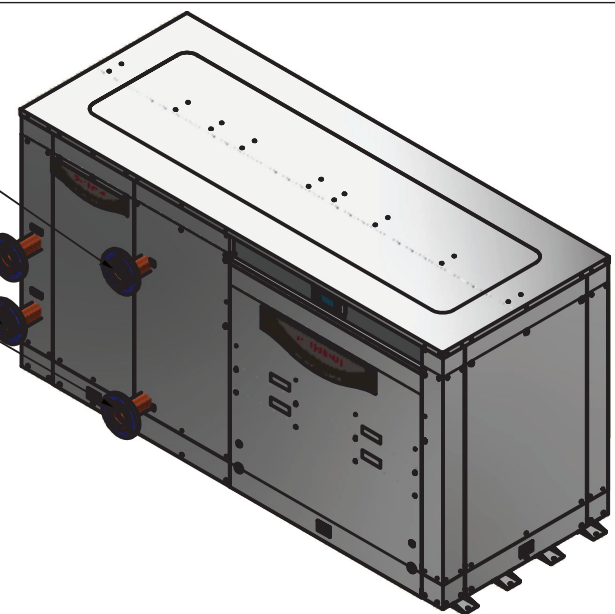


SIDE VIEW


HOT OUTLET
COOL INLET
COOL OUTLET
HOT INLET

CONDENSATE
DRAIN Ø20MM



END VIEW

REV	ECN	DESCRIPTION	DATE

 Rheem THERMAL SYSTEMS GROUP		SHEET 1 OF 4	
		Description: RT W2W HW HP 88kw R134A	
Part No: 955088#DP-DQ-1		Rev.	
Material:		Date: 13/04/2023	
Drawn By: JPB		Checked By:	
General Tolerance: Sheetmetal - Cut Size - ± 0.5mm, Angle - ± 0.5°, Bend size - ± 0.3mm Tubes - Dimensions ± 2, Angle ± 2°		Scale: N.T.S	