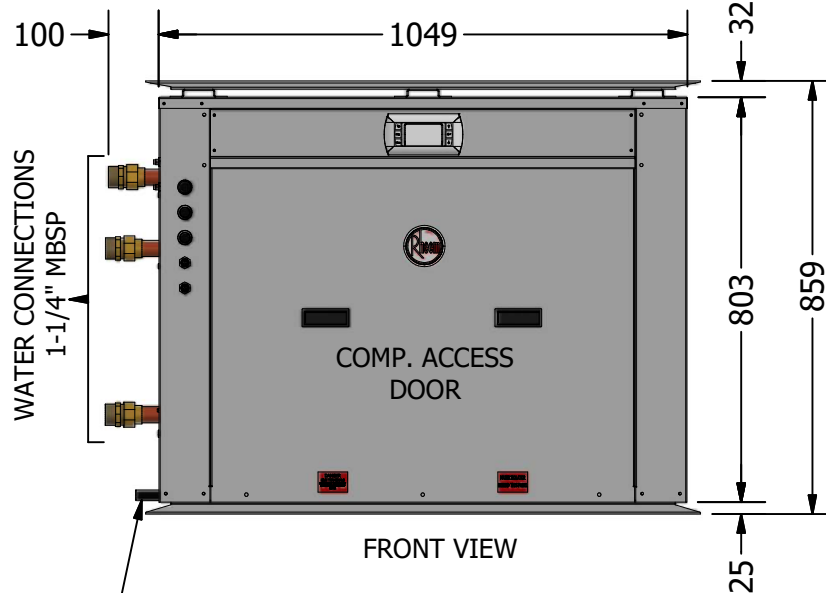
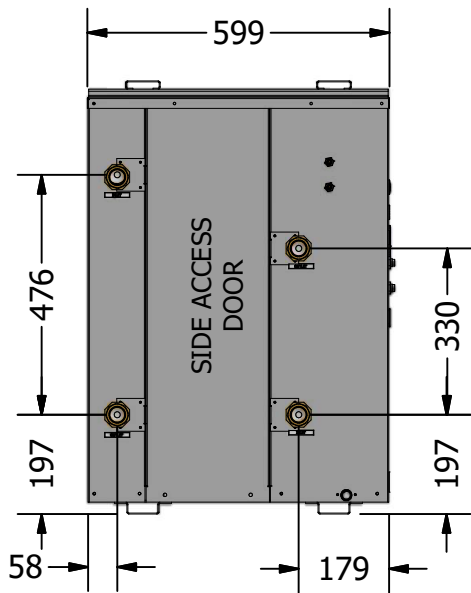
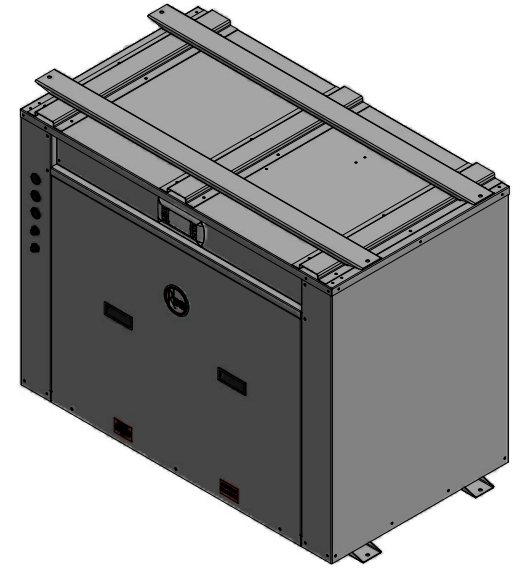
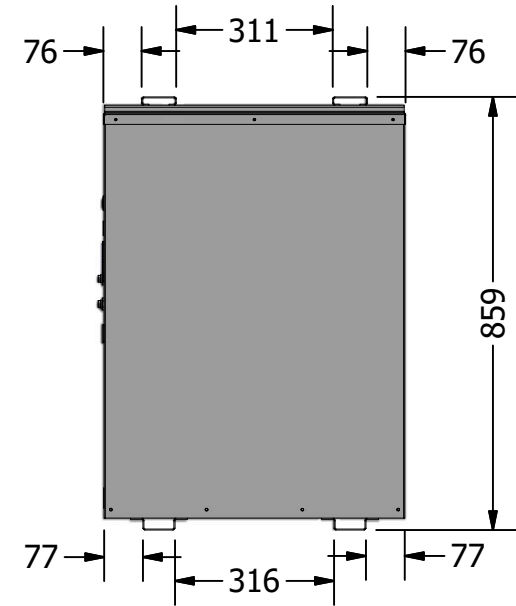



TOP VIEW



FRONT VIEW

CONDENSATE DRAIN Ø20mm



 Rheem THERMAL SYSTEMS GROUP	
Description:	RHEEM W2W DW HP 9540150S
Part No:	9540150S
Material:	
Drawn By:	ST
Checked By:	
General Tolerance:	Sheetmetal - Cut Size - $\pm 0.5\text{mm}$, Angle - $\pm 0.5^\circ$, Bend size - $\pm 0.3\text{mm}$ Tubes - Dimensions ± 2 , Angle $\pm 2^\circ$
Scale:	N.T.S