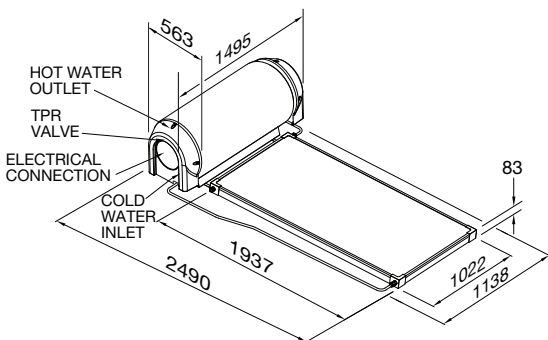




Features & Benefits

- Suitable for temperate or tropical location
- Stainless steel cylinder
- The 52L Series system directly heats the water as it passes through the collectors
- Booster – choice of electric element or 6-Star continuous flow gas
- Eligible for STCs⁵
- 7 year cylinder warranty¹ with NPT200 collector*
- 10 year cylinder warranty¹ with L, CSA2007 collector*



* Available through Rheem Solar Specialists only

MODEL	52L180
Storage Capacity (L)	180
Solar Collectors	1 NPT200, L, CSA2007
Booster Type	Electric or Gas
Weight Empty (kg) - Tank	52
Solar Collector (kg each)	36
Water Connections	DN15 Compression



Scan code for details & installation instructions

