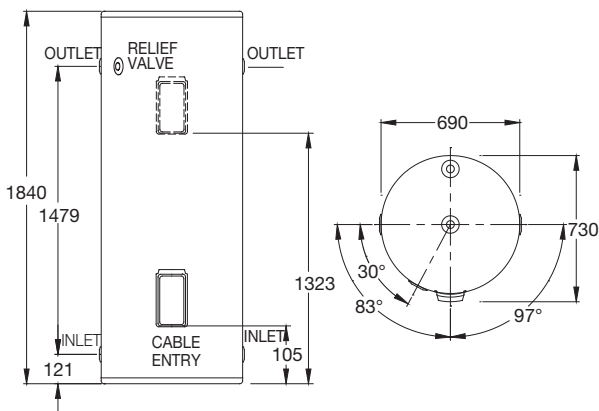




Features & Benefits

- Easy retrofit
- Dual handed inlet and outlet fittings
- Durable Rheem Ultraname[®]
- Thicker sacrificial anode
- Twin element model - 492400
- Australian made
- 12 year cylinder warranty¹



MODEL	491400 492400
Hot Water Delivery (L)	400
Element Rating (kW)	3.6, 4.8
Relief Valve Pressure (kPa)	1000
Expansion Control Valve (kPa)	850
Max Water Supply Pressure:	
with ECV (kPa)	680
without ECV (kPa)	800
Water Connections	Rp ³ / ₄
Approx. Weight (packaged) kg	120



Tap QR code for
installation
instructions

