

# Rheem Standard Flue Diverter

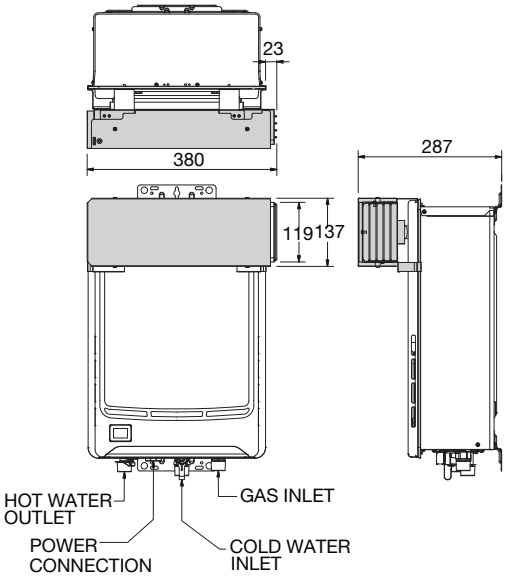
299287 - suitable for 12L, 16L & 26L

Outdoor  
INSTALLATION



## Features & Benefits

- Enables compliance with relevant national and local regulations for installation in covered open areas.\*
- Offers added flexibility in installation
- Suitable for Rheem 12, Rheem Metro 16L & 26L
- Stainless steel finish, with heat shield for added safety
- Fits simply to the standard water heater
- Fits Natural Gas models only
- Suitable for installation with Recess Box 299842, 299842/WA Pipe Cover 299426



\*Confirm with your local authorities that the installation complies with all regulations applicable in your area. Refer to your State or Territory gazetted regulation revision of AS 5601 or AS/NZS 5601.1-XXXX to ensure compliance.

Scan code for details & installation instructions

PART	299287
To suit models: 876812NF, 874812NF 876T16NF, 874T16NF 876T26NF, 874T26NF	

