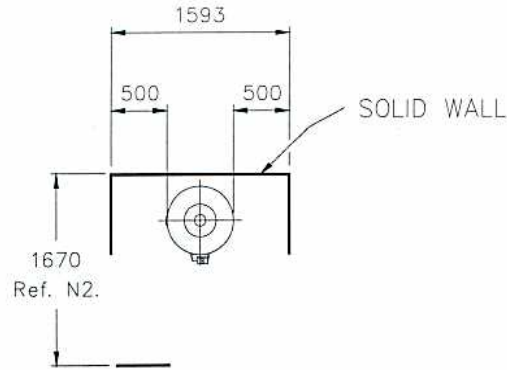
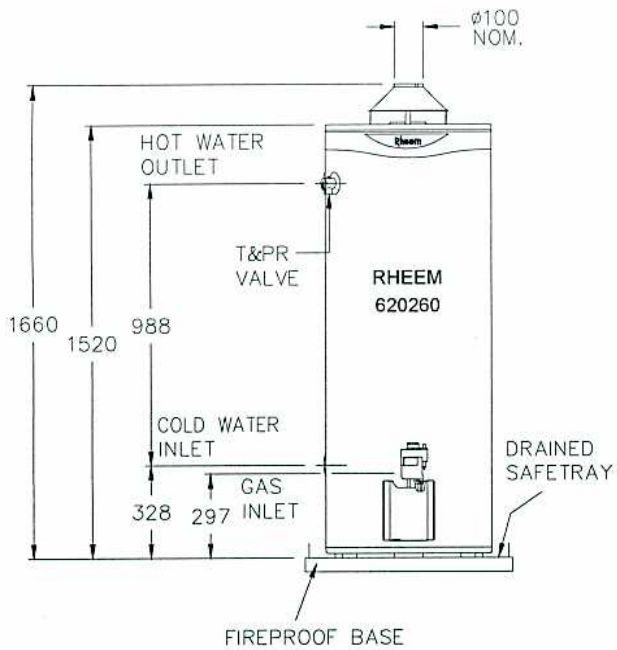


INDOOR MODEL



LEGEND

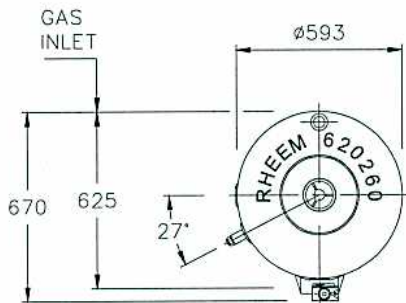
- STOP COCK
- NON RETURN VALVE
- PRESSURE LIMITING VALVE (IF REQUIRED)
- COLD WATER RELIEF VALVE
- GATE VALVE
- CIRCULATOR
- FIXTURES
- DIRECTION OF FLOW
- UNION
- TUNDISH

INLET OUTLET CONNECTIONS: -
RP 1 1/4 / 32 (1 1/4 B.S.P. INTERNAL)

T&PR VALVE CONNECTIONS: -
RP 3/4/20 (3/4 B.S.P. FEMALE)

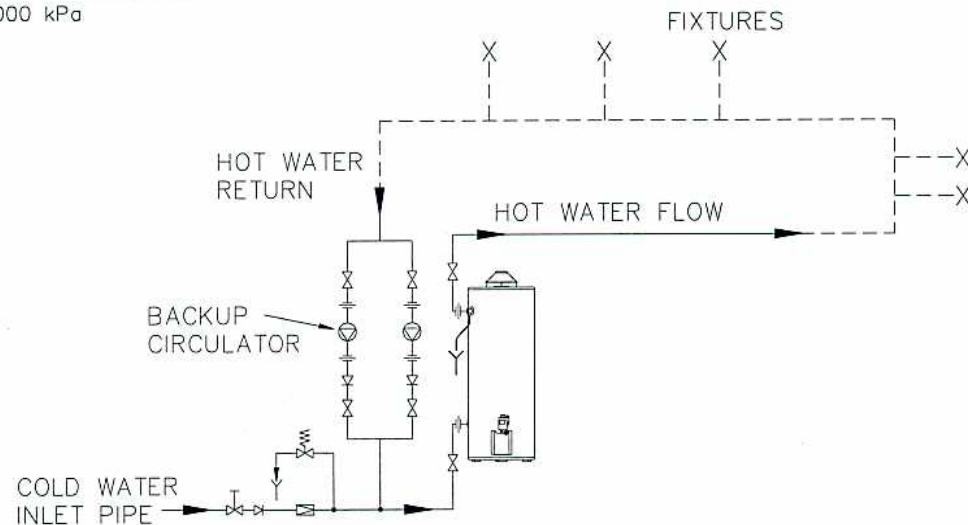
GAS INLET CONNECTION: -
RP 1/2/15 (1/2 B.S.P. FEMALE)

T&PR VALVE SETTING: -
1000 kPa



NOTES:

- N1. MINIMUM SPACE BETWEEN WALL AND BACK OF WATER HEATER IS 100mm.
- N2. A MINIMUM OF 900mm SHOULD BE LEFT IN FRONT OF THE WATER HEATER FOR ACCESS, SERVICING AND WATER HEATER REMOVAL.



RHEEM WATER HEATERS HEAVY DUTY GAS 1 x 620260