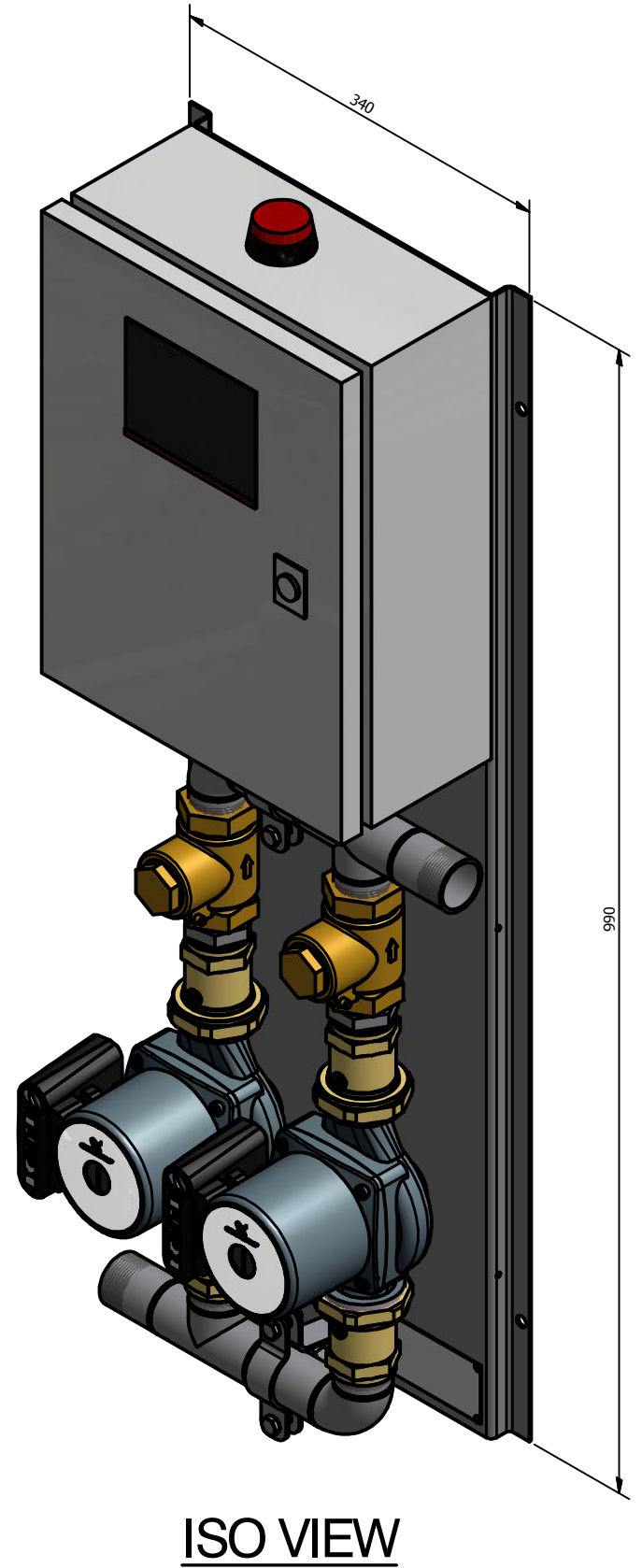
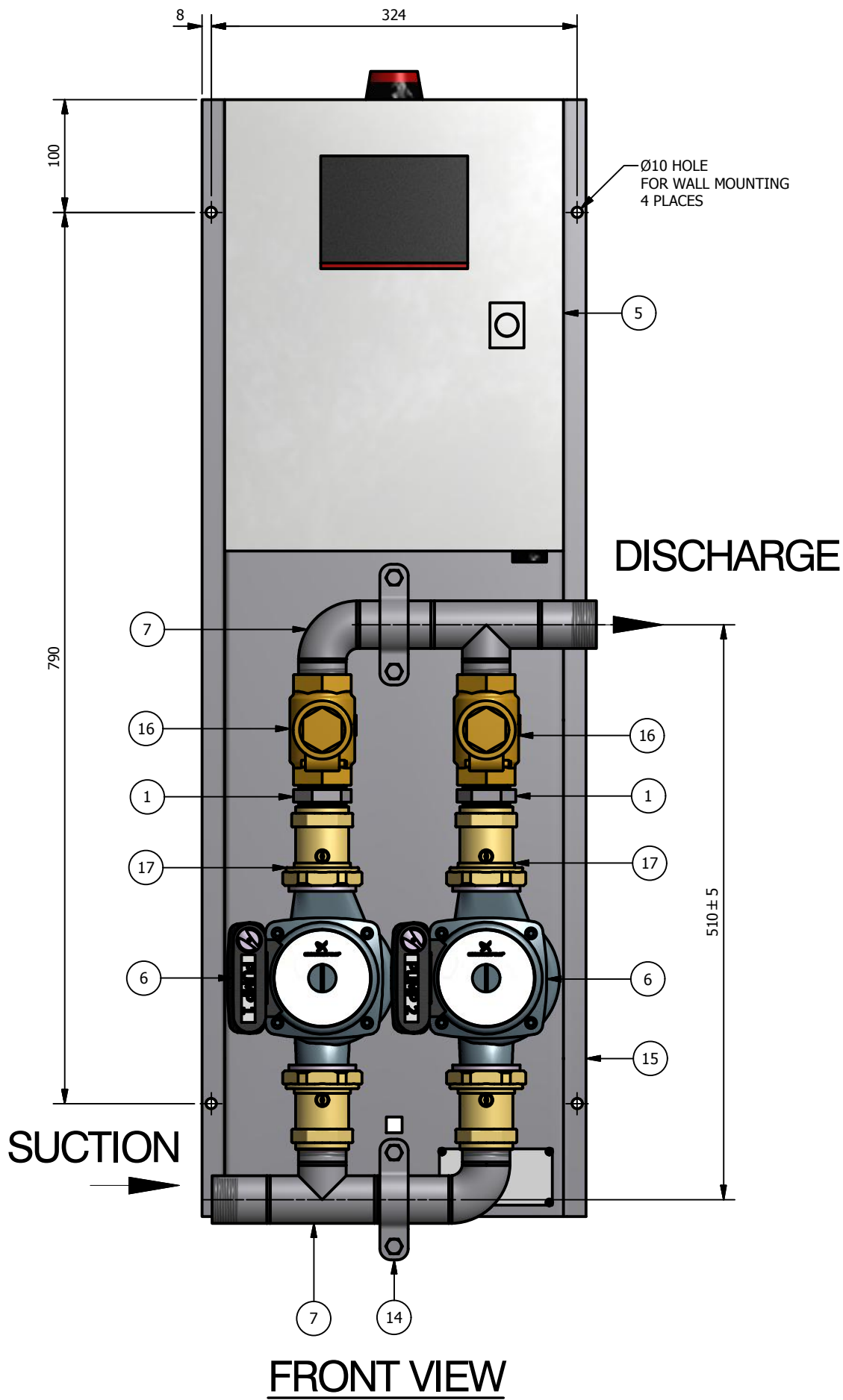


NOTES:

1. PIPEWORK/FITTINGS: STAINLESS STEEL (BRASS UNION SET)
2. NON RETURN VALVE: DN32 BRONZE SWING CHECK (OR EQUIVALENT)
3. BASE FRAME: 2MM FOLDED GALV SHEET
4. CONTROL PANEL: 300x400 (REPRESENTATION ONLY)
5. CONNECTION: 32MM (1 1/4" BSP) MALE



4	00ID1368	SCREW SOCKET HEAD CAP M8X20	21
2	00ID1986	BOLT M10X20 GALV	20
4	00ID2061	NUT HEX M8 A4 NYLOC + DELTA	19
2	00ID8455	NUT BOX M10 A2	18
2	505539	DN32 UNION BALL VALVE SET	17
2	91338521	VALVE SWING CHECK DN32 BRONZE SCREWED	16
1	91338768	BASE FRAME DUAL CIRCULATOR 990x340x20	15
2	91341043	PIPE CLAMP UN8-43	14
2	91344880	WASHER FLAT M10 GALV DIN125A	13
0.35	91347257	CONDUIT FLEX 25mm (90225CMGY)	12
2	98070691	CAP POLY 32MM	11
1	98106111	KIT NAMEPLATE BOOSTER	10
2	98335954	CABLE 3x1.5mm ² (2C+E)	9
2	98429198	SADDLE CLAMP	8
2	98521261	DUAL UPS DN32 MANIFOLD SS	7
2	98928959	UPS 32-80N 180 240V	6
1	98974267	CONTROL PANEL DUAL UPS DLX	5
1	CR000041	CRATE 1100x365x325	4
1	LB010119	LABEL PUMP 1 (PLASTIC)	3
1	LB010120	LABEL PUMP 2 (PLASTIC)	2
2	SF043232	NIPPLE HEX SS 32X32	1
QTY	PART NUMBER	DESCRIPTION	ITEM

APPROX MASS: 31.3 kg

DATE	DESCRIPTION	ENGINEER	REV
8/10/2018	REVISED PUMP AND CONTROL PANEL	D.N.	D
5/08/2014	REVISED DRAWING CHANGES	D.N.	C

REVISION HISTORY		
DESIGN: D.NGUYEN	DATE: 5/08/2014	JOB NO: 91348640
DETAIL: D.NGUYEN	DATE: 5/08/2014	SCALE: 1:5

<p>ALL DIMENSIONS IN MILLIMETRES</p>	<p>THIS IS THE PROPERTY OF GRUNDFOS PUMPS AUSTRALIA AND MUST NOT BE COPIED OR COMMUNICATED TO A THIRD PARTY UNLESS AUTHORISED IN WRITING BY GRUNDFOS PUMPS</p>
--------------------------------------	--

GRUNDFOS

TEL. (08) 8461 4611 FAX. (08) 8340 0155 ACN. 007 920 765

TITLE: 2 UPS32-80 N DUAL CIRC DELUXE (SS)

SIZE: **A3** DRG NO: **91348640_1** REV: **D**