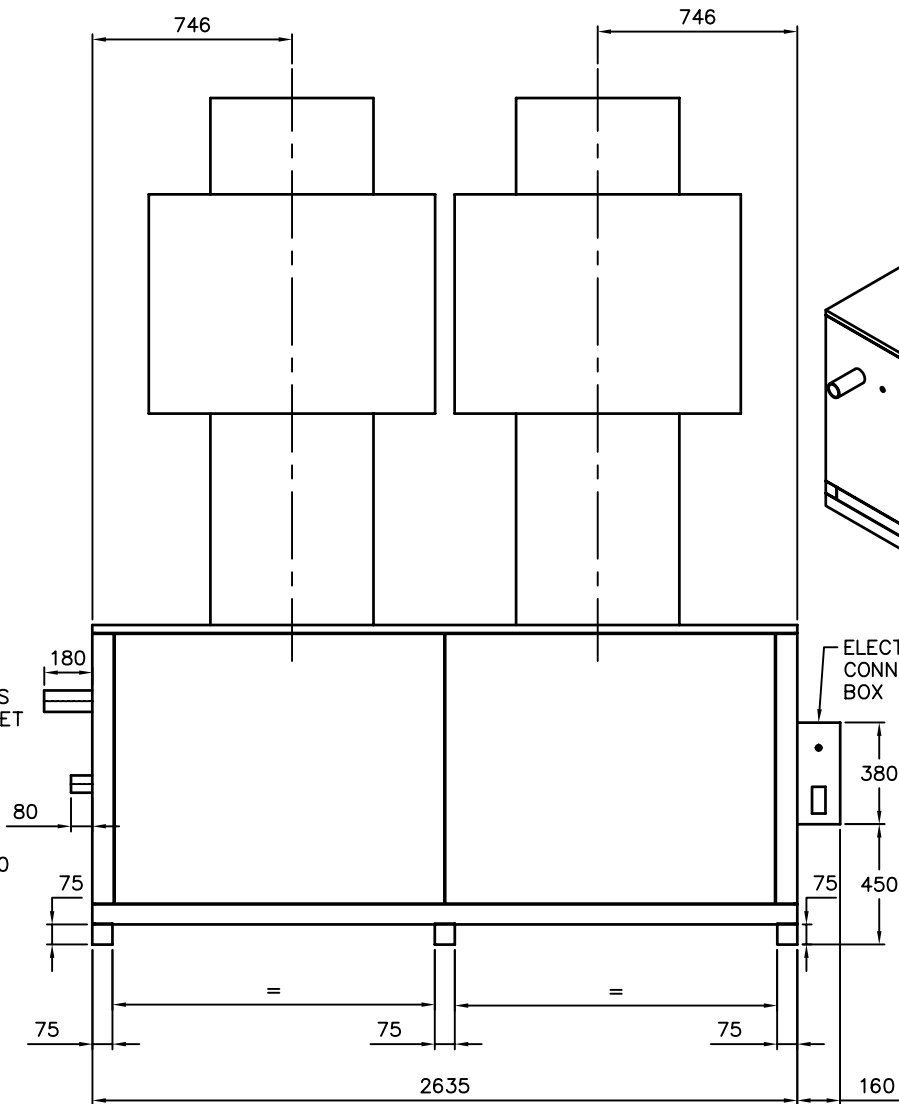
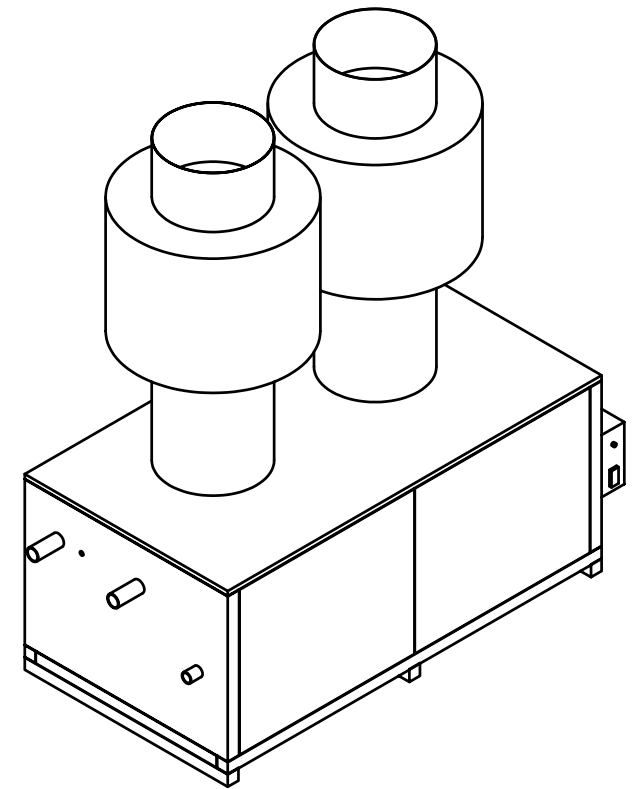


LEFT SIDE



FRONT



ELECTRICAL CONNECTION BOX

RAYPAK WATER HEATER OUTDOOR MODEL B3804/HWT