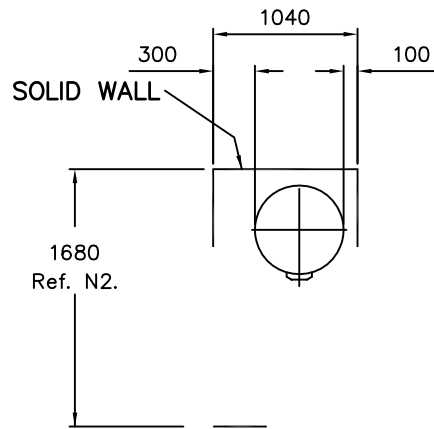
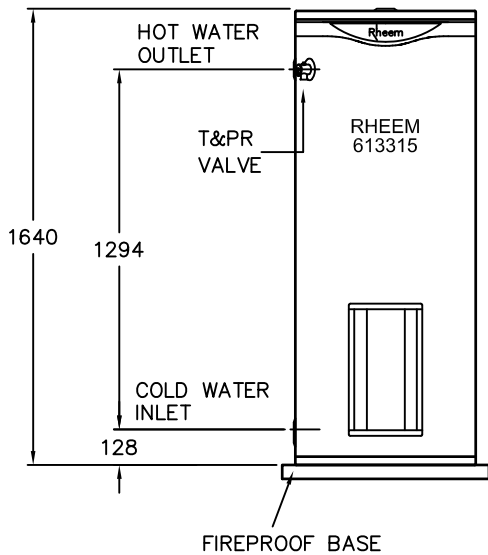
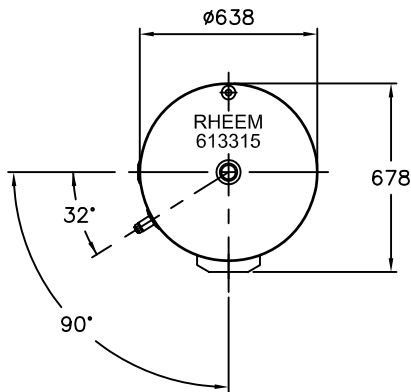


INDOOR AND OUTDOOR MODEL



LEGEND

- STOP COCK
- NON RETURN VALVE
- PRESSURE LIMITING VALVE (IF REQUIRED)
- COLD WATER RELIEF VALVE
- GATE VALVE
- CIRCULATOR
- FIXTURES
- DIRECTION OF FLOW
- UNION
- TUNDISH



INLET OUTLET CONNECTIONS: -

RP 1 1/4 / 32

T&PR VALVE CONNECTIONS: -

RP 3/4 / 20

T&PR VALVE SETTING: -

1000 kPa

NOTES:

- N1. MINIMUM SPACE BETWEEN WALL AND BACK OF WATER HEATER IS 100mm.
- N2. A MINIMUM OF 900mm SHOULD BE LEFT IN FRONT OF THE WATER HEATER FOR ACCESS, SERVICING AND WATER HEATER REMOVAL.

