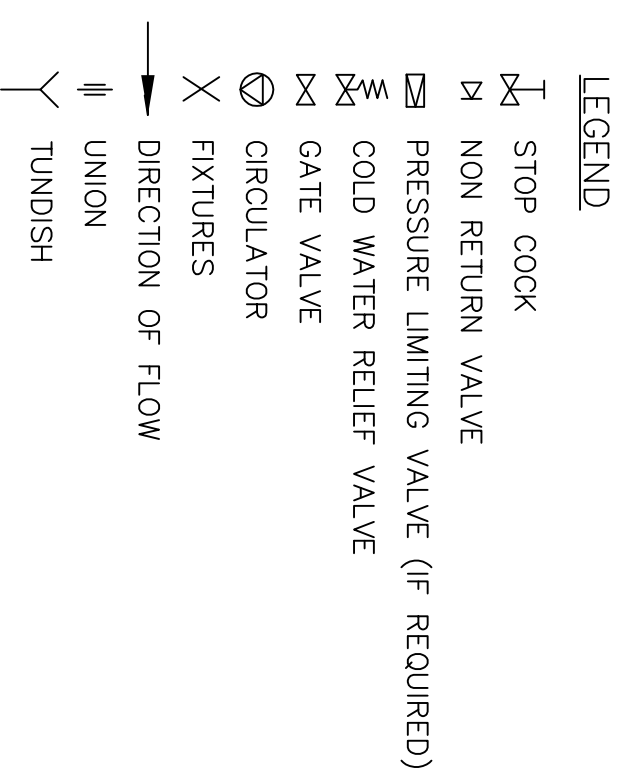
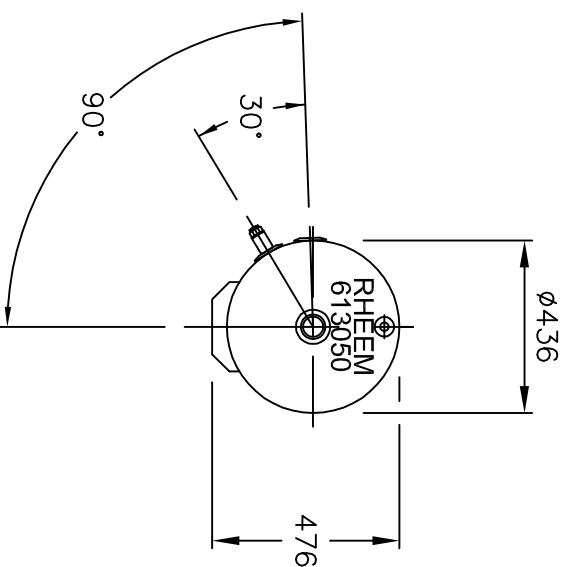
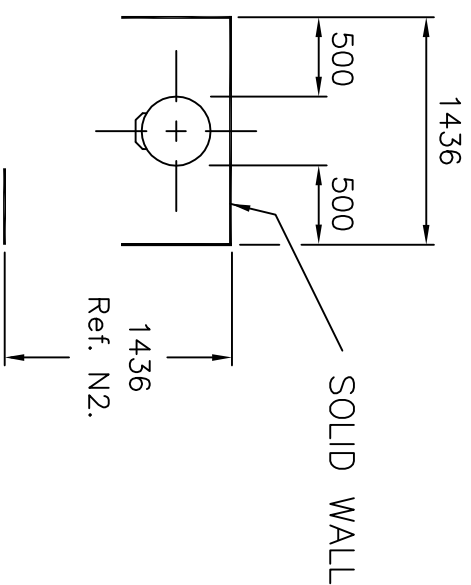
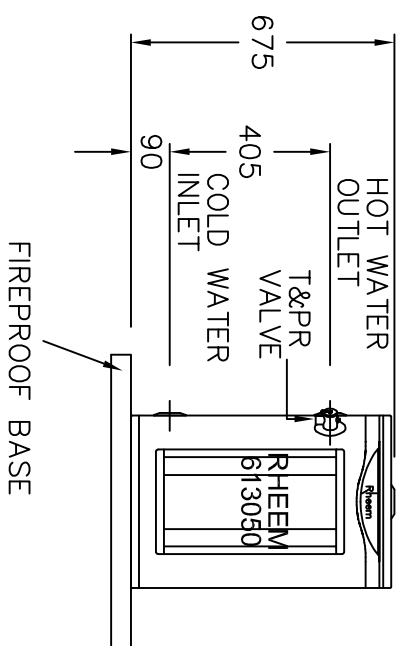


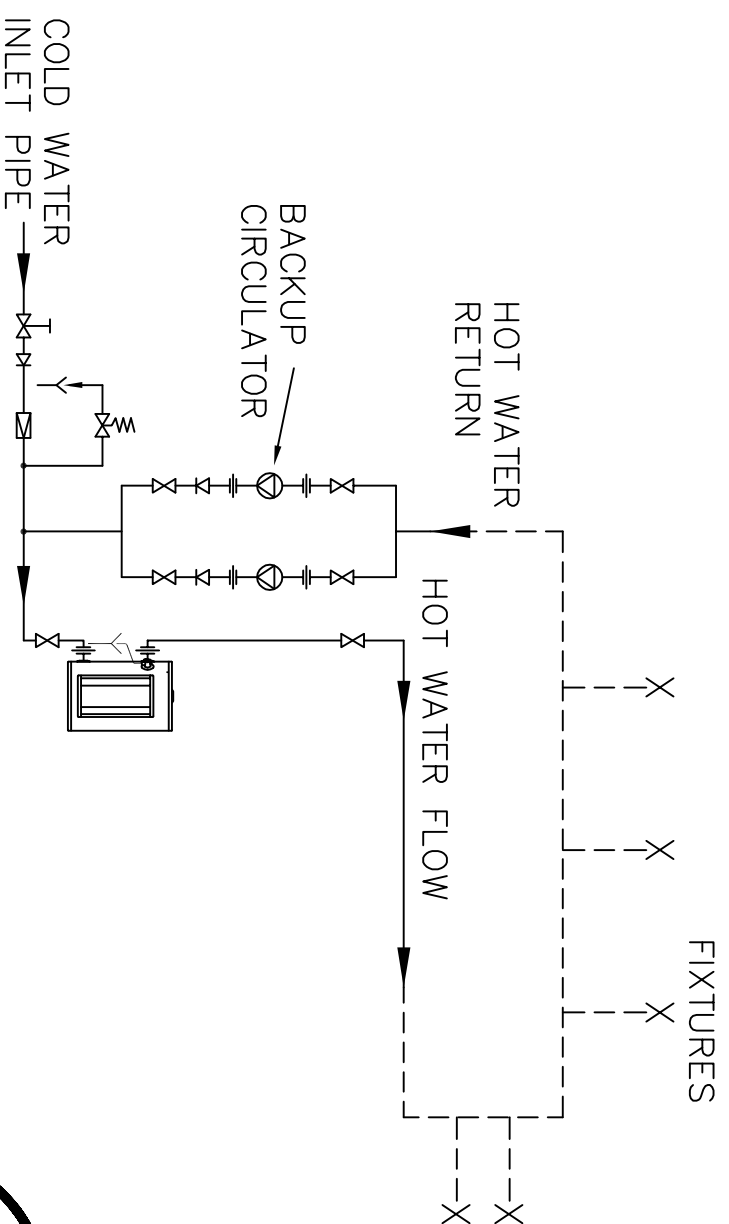
INDOOR AND
OUTDOOR MODEL



INLET OUTLET CONNECTIONS:-
RP 1 1/4 / 32

T&PR VALVE CONNECTIONS:-
RP 3/4 / 20

T&PR VALVE SETTING:-
1000 kPa



NOTES:

- N1. MINIMUM SPACE BETWEEN WALL AND BACK OF WATER HEATER IS MM.
- N2. A MINIMUM OF 900mm SHOULD BE LEFT IN FRONT OF THE WATER HEATER FOR ACCESS, SERVICING AND WATER HEATER REMOVAL.
- N3. EXTERNAL WATER HEATERS MUST BE INSTALLED WITH THE BACK OF THE WATER HEATER AGAINST A SOLID WALL.

RHEEM WATER HEATERS HEAVY DUTY ELECTRIC 1 X 613050

