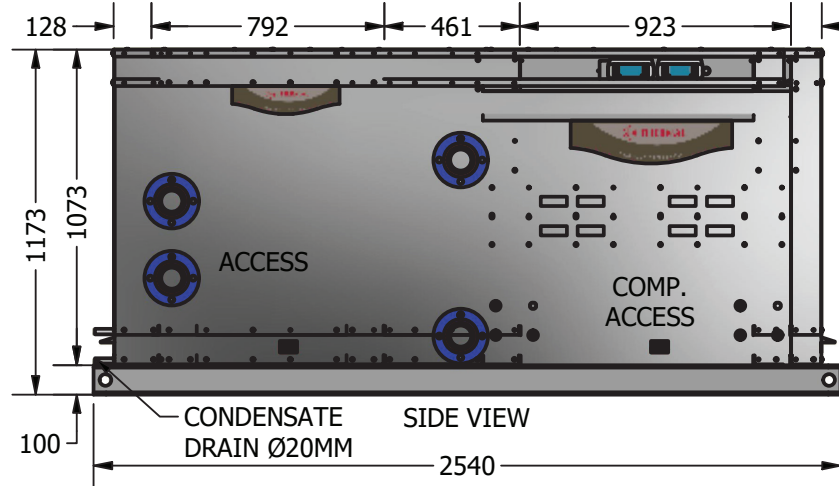
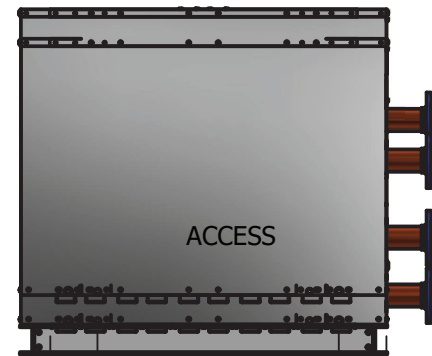
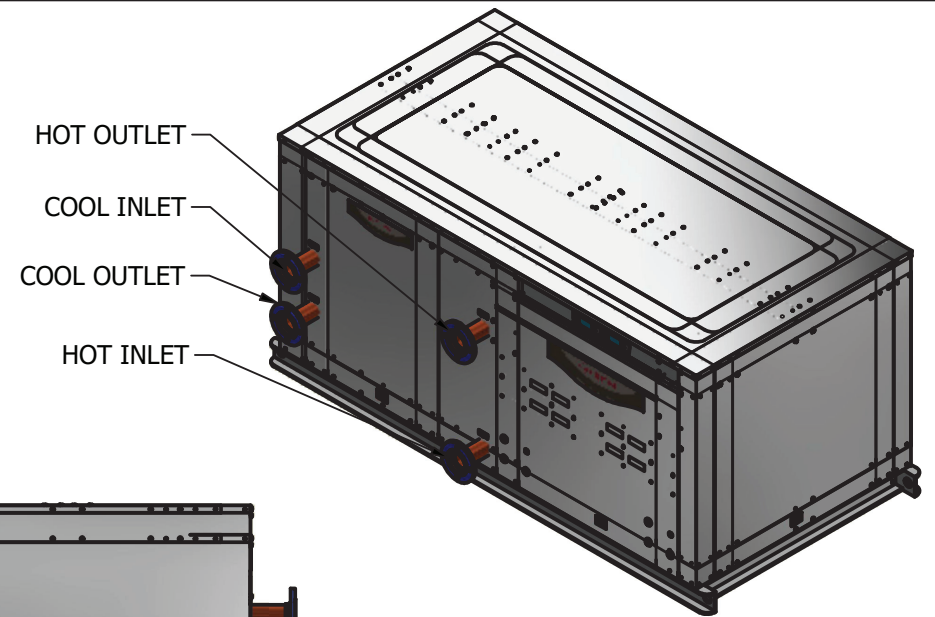


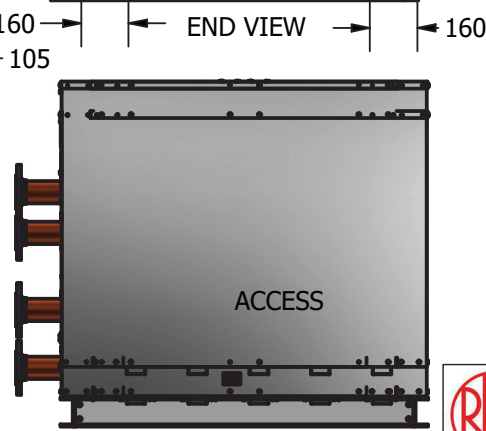
SIDE VIEW




SIDE VIEW



END VIEW



END VIEW

 <b>Rheem</b> THERMAL SYSTEMS GROUP		SHEET 1 OF 4	
		Description: RT W2W HW HP 142kw R134A	
Part No: 955142#DV-DQ-1		Rev:	
Material:		Date:	13/04/2023
Drawn By: JPB		Checked By:	
General Tolerance: Sheetmetal - Cut Size - ± 0.5mm, Angle - ± 0.5°, Bend size - ± 0.3mm Tubes - Dimensions ± 2, Angle ± 2°		Scale:	N.T.S

REV	ECN	DESCRIPTION	DATE