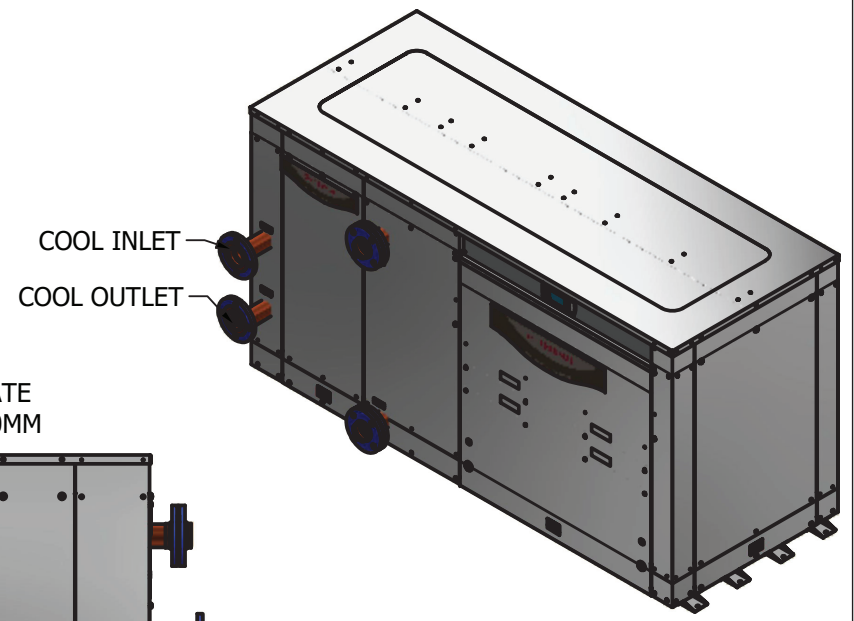
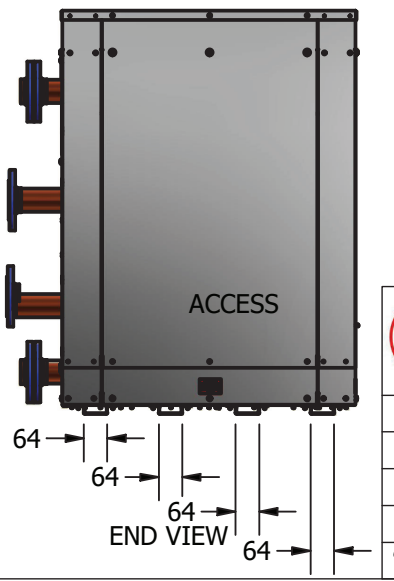
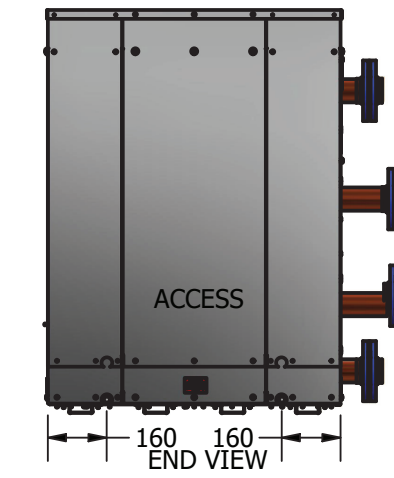



REV	ECN	DESCRIPTION	DATE



 <b>Rheem</b> THERMAL SYSTEMS GROUP		SHEET 1 OF 4	
		<b>Description:</b> RT W2W HW HP 71kw R134A	
<b>Part No:</b> 955071#DV-DQ-1		<b>Rev.</b>	
<b>Material:</b>		<b>Date:</b> 13/04/2023	
<b>Drawn By:</b> JPB		<b>Checked By:</b>	
<b>General Tolerance:</b> Sheetmetal - Cut Size - ± 0.5mm, Angle - ± 0.5°, Bend size - ± 0.3mm Tubes - Dimensions ± 2, Angle ± 2°		<b>Scale:</b> N.T.S	