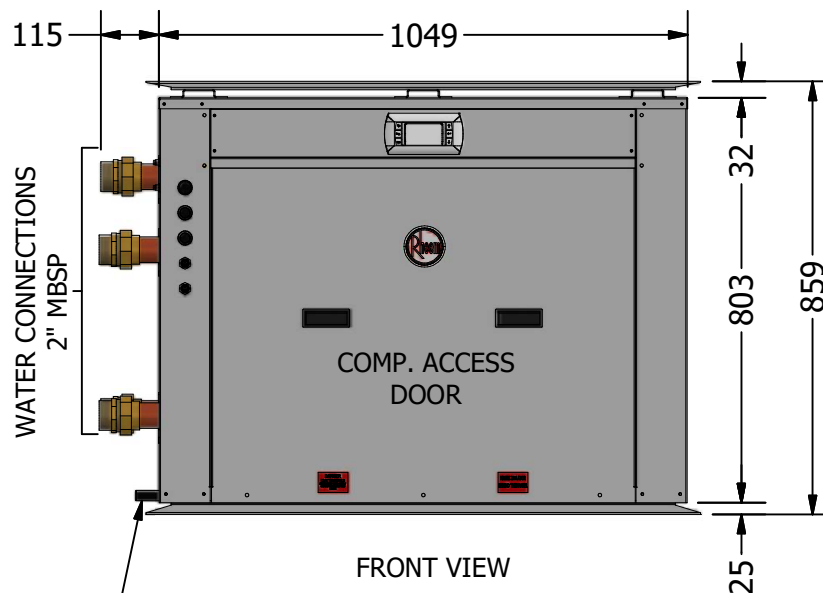
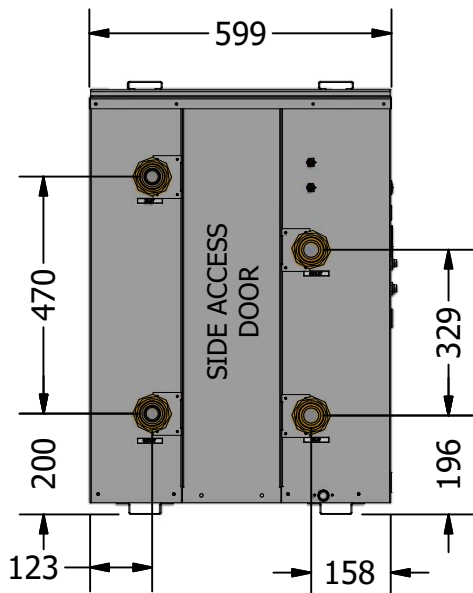
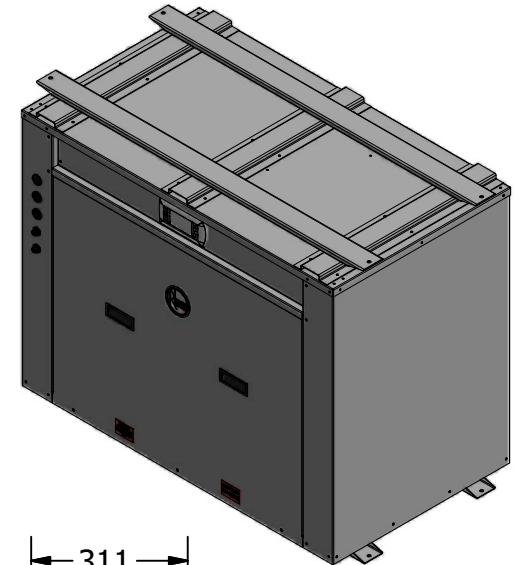
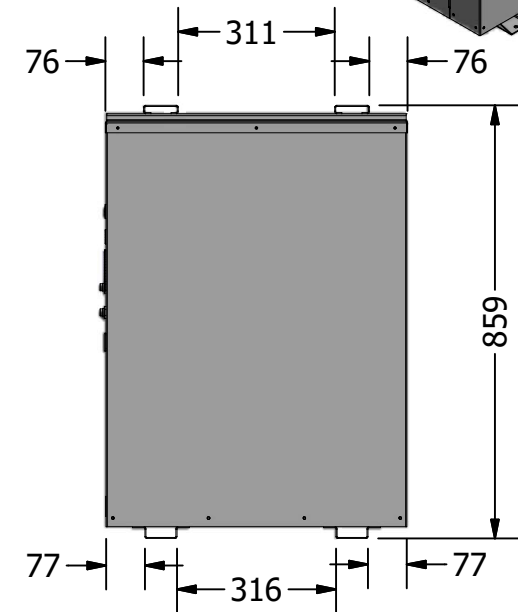


TOP VIEW



FRONT VIEW



CONDENSATE DRAIN Ø20mm



Rheem

THERMAL SYSTEMS GROUP

Description:	RHEEM COMM. W2W BPHX HP 9540350S		
Part No:	9540350S	Rev.	
Material:		Date:	22/06/2018
Drawn By:	ST	Checked By:	
General Tolerance:	Sheetmetal - Cut Size - ± 0.5mm, Angle - ± 0.5°, Bend size - ± 0.3mm Tubes - Dimensions ± 2, Angle ± 2°		Scale: N.T.S