

# RHEEM 26 CONTINUOUS FLOW GAS HOT WATER



GAS



6★  
ENERGY  
RATING

2-5

PEOPLE

26

L/MIN  
CAPACITY

10 YEAR

HEAT EXCHANGER  
WARRANTY<sup>1</sup>



- New look
- New features
- A New Standard in Continuous Flow

COMES ON STEADY, HOT AND STRONG

INSTALL A



# RHEEM 26 CONTINUOUS FLOW GAS HOT WATER

## NEW RHEEM 26 CONTINUOUS FLOW

All-new technology from Australia's favourite hot water brand. More features, more flexibility and the performance you expect from Rheem to keep you in endless hot water.

- 6 Star efficiency
- Sleek new design:
  - Concealed screws for a clean look
  - Modern, designer colour
- 50°C models available for greater safety – adjustable up to 53°C at installation for hotter water at the tap<sup>2</sup>
- **Digital OK monitor:**
  - Displays error codes should a fault occur
  - Shows your set hot water temperature when operating
- **More compact** than some 26L units (even better for small spaces): 520mm H x 355mm W x 187mm D
- **Improved hot water delivery** at cold start up (improved flow, while saving water)
- **More flexible** (so it's installable in more places with confidence):
  - **Just 2L/minute minimum operating water flow**
  - Minimum water supply pressure just 120kPa
  - Maximum water supply pressure 1,000kPa
- **Compatible with Rheem Flue Diverters** – both Standard & Extended
- 10 Year Heat Exchanger warranty<sup>1</sup>
- **Flamesafe®** overheat protection, automatically shuts down your water heater should it overheat
- Rheem EZ Link® compatible, to link two units for up to 52L/minute delivery
- Rheem Q Factor® equipped, for hot water with minimal fluctuation when multiple taps demand hot water
- Remote Temperature Controllers available for convenience and added safety



# RHEEM FLUE DIVERTERS

Rheem Flue Diverters provide added flexibility in installation while enabling compliance with relevant national and local regulations.

NOTE: You should confirm with your local authorities that the installation complies with all regulations applicable in the area.

- Fits to Rheem 26 standard unit (Natural gas models only)<sup>3</sup>
- Stainless steel finish
- Left or right handed fitting
- Fixed heat shield for added homeowner safety
- Easily fitted using brackets provided
- Can be fitted to unit mounted in a Rheem recess box

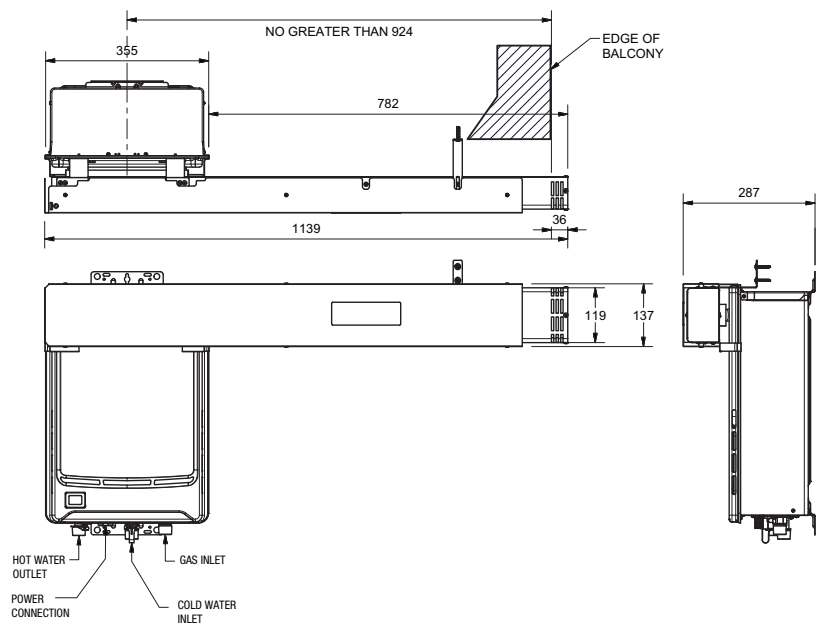
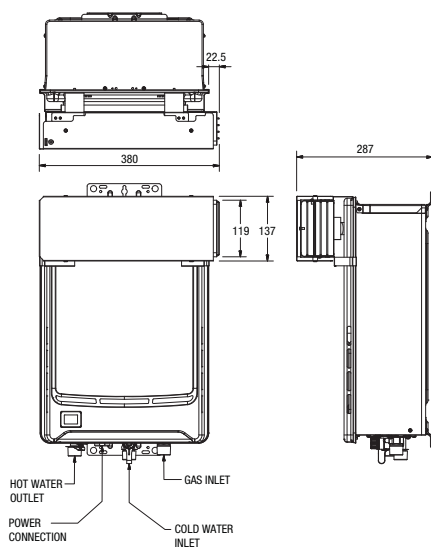
## Rheem Standard Flue Diverter



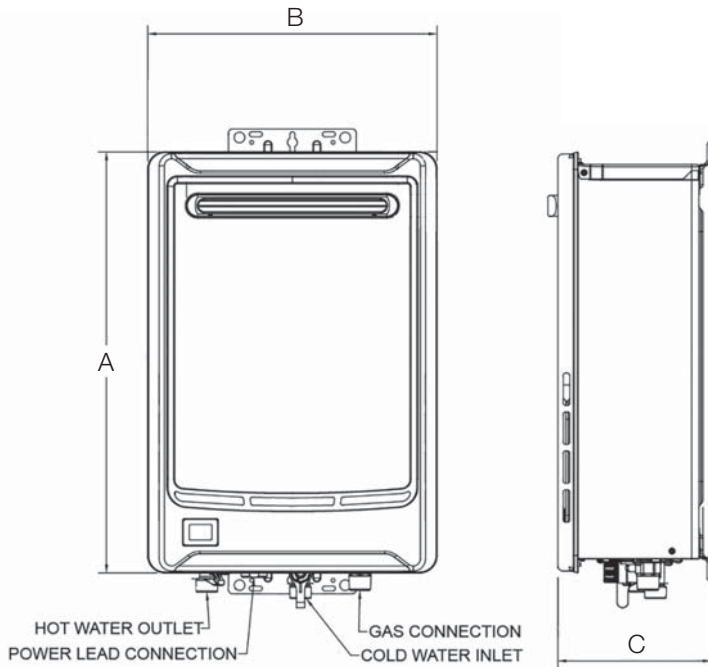
## Rheem Extended Flue Diverter



- For extra flexibility in design – to set the Rheem unit back in the balcony
- Additional support wall bracket provided

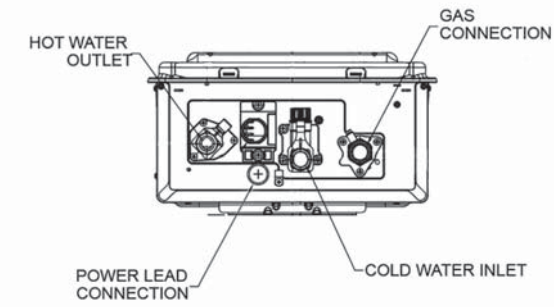


# RHEEM 26 CONTINUOUS FLOW PRODUCT DATA



## SPECIFICATION

<b>Model Number</b>			
<b>Natural Gas:</b>		<b>876T26NF</b>	<b>874T26NF</b>
<b>Propane:</b>		<b>876T26PF</b>	<b>874T26PF</b>
Pre-set Temperature	°C	50	60
Number of People		2 – 5	
Gas Type		Natural Gas/ Propane	
Gas Energy Rating	Stars	6.0	
Flow Rate @ 25°C Rise	L/min	26	
Min. Operating Flow Rate	L/min	2.0	
Nominal Gas Consumption	MJ/hr	199	
<b>Dimensions</b>			
Height A	mm	520	
Width B	mm	355	
Depth C	mm	187	
Depth – from wall to Hot Water Outlet	mm	87	
Depth – from wall to Cold Water Inlet	mm	68	
Depth – from wall to Gas Inlet	mm	77	
Weight (empty)	kg	16	
Max. Water Supply Pressure	kPa	1000	
Min. Water Supply Pressure	kPa	120	
Cold Water Connection		R ¾	
Hot Water Connection		R ¾	
Gas Connection		R ¾	
<b>Accessories</b>			
Pipe Cover		299426	
Recess Box		299842	
Wall Mount Security Kit		299868	
Flue Diverters – Standard		299287	
– Extended		299285	



<sup>1</sup> Continuous Flow Warranty Conditions:  
10 Years parts and 3 Years labour on Heat Exchanger, 3 Years parts & labour on other components, when installed in a domestic dwelling. For all other installations, the warranty period is 1 Year parts and labour on Heat Exchanger and other components. Conditions apply. See the Rheem warranty set out in the Owner's Guide & Installation Instructions or view at [www.rheem.com.au/warranty](http://www.rheem.com.au/warranty).

<sup>2</sup> 60°C and higher temperature models and some applications require a tempering valve in accordance with AS 3500.4.

<sup>3</sup> Rheem Flue Diverters 299287/299285 are approved for use on Rheem 876T26NF and 874T26NF models only. They must not be fitted to other Rheem models or other branded models, as this may create an unsafe operating situation.

Information current as at 01/09/2017. Materials and data are subject to change without notice.

\* Registered Trademark of Rheem Australia Pty Ltd.

™ Trademark of SAI Global.



Rheem Australia Pty Ltd.  
1 Alan Street, Rydalmere, New South Wales 2116, Australia  
PO Box 7508, Silverwater, New South Wales 2128, Australia.