

Owner's Guide and Installation Instructions



Commercial Storage Tank



*This storage tank must be installed and serviced by a qualified person.
Please leave this guide with the householder.*



WARNING: Plumber – Be Aware

- The primary flow and return pipes between the storage tank(s) and the primary water heating source, including the solar hot and solar cold pipes between the solar storage tank(s) and the solar collectors, **MUST BE** of copper. All compression fittings must use brass or copper olives.
- The full length of the primary flow and return pipes **MUST BE** insulated.

The insulation must:

- be of a type suitable for the application and capable of withstanding the temperature of the water generated by the primary water heating source

The specification of the chosen insulation material should be checked with the insulation manufacturer prior to installation as different materials may vary in temperature tolerance.

Closed cell type or equivalent insulation used between the storage tank(s) and solar collectors, if this storage tank is part of a solar water heater installation, must be able to withstand the temperature of the water generated by the solar collectors under stagnation conditions. Refer to the installation instructions provided with the solar controller for full details on the insulation requirements of the solar hot and solar cold pipes.

- be at least 13 mm thick, however thicker insulation may be required to comply with the requirements of AS/NZS 3500.4
- be weatherproof and UV resistant if exposed
- be fitted up to and cover the connections on both the storage tank(s) and the primary heating source.

The insulation will reduce pipe heat losses and also assist in avoiding accidental contact with the pipe work as high temperature water can flow from the primary heating source and the storage tank(s).

- In addition, the insulation on the solar hot and solar cold pipes must also:
 - extend through any penetrations in the eaves, ceiling and roof
 - cover valves and fittings in the solar hot and solar cold pipe work

Note: Failure to observe these requirements also increases the risk of freeze damage.

The insulation is essential to assist in providing freeze protection and will offer protection to a metal roof against corrosion due to water running off the copper pipes.

Uninsulated pipe work, including concealed in cavities and roof spaces or where it may be in contact with a metal roof, may lead to freeze damage. The system has **NO WARRANTY** for freeze damage if the solar hot and solar cold pipes are not insulated in accordance with the installation instructions.

Plumber: It is important to refer to and read in full the complete “Warning: Plumber – Be Aware” statement commencing on page 27.

An electronic copy of these Owner’s Guide and Installation Instructions can be downloaded from rheem.com.au and rheem.co.nz.

PATENTS

This storage tank may be protected by one or more patents or registered designs in the name of Rheem Australia Pty Ltd.

TRADEMARKS

© Registered trademark of Rheem Australia Pty Ltd.
™ Trademark of Rheem Australia Pty Ltd.

Note: Every care has been taken to ensure the accuracy in preparation of this publication. No liability can be accepted for any consequences, which may arise as a result of its publication.

CONTENTS

RESPONSIBLE OFFICER

This booklet contains important information about your new water heater, including terms of the Rheem warranty.

We recommend you read pages 7 to 16,
and the terms of the Rheem warranty on pages 4 to 6.

The other pages are intended for the installer but may be of interest.

Warranty	4
Safety, Warnings, Installation Notes	7
About Your Storage Tank	10
Maintenance Requirements.....	12
Water Supplies.....	13
Save A Service Call	16
Installation.....	17
Connections – Plumbing	24
Connections – Electrical.....	28
Multiple Installations	29
Commissioning.....	37
Draining The Storage Tank.....	38

RHEEM AUSTRALIA PTY LTD, A.B.N. 21 098 823 511

www.rheem.com.au, www.rheem.co.nz

For Service Telephone 131 031 AUSTRALIA or 0800 657 335 NEW ZEALAND

RHEEM MAINS PRESSURE STORAGE TANK WARRANTY – AUSTRALIA AND NEW ZEALAND ONLY –

STORAGE TANK MODELS 61034050, 61043050

1. THE RHEEM WARRANTY – GENERAL

- 1.1 This warranty is given in Australia by Rheem Australia Pty Limited ABN 21 098 823 511 of 1 Alan Street, Rydalmere New South Wales, and in New Zealand by Rheem New Zealand Limited of 475 Rosebank Road Avondale Auckland 1026.
- 1.2 Rheem offer a trained and qualified national service network who will repair or replace components at the address of the storage tank subject to the terms of the Rheem warranty. Rheem Service, in addition can provide preventative maintenance and advice on the operation of your storage tank. The Rheem Service contact number in Australia is 131031, with Contact Centre personnel available 24 hours, 7 days a week to take your call and if necessary to arrange a service call for during normal working hours Monday to Friday (hours subject to change) or in New Zealand on 0800 657 335.
- 1.3 For details about this warranty, you can contact us in Australia on 131031 or by email at warrantyenquiry@rheem.com.au (not for service bookings), or in New Zealand on 0800 657 335 or by email at rheem@rheem.co.nz (not for service bookings).
- 1.4 The terms of this warranty and what is covered by it are set out in sections 2 and 3 and apply to storage tanks manufactured from the 1st August 2018.
- 1.5 If a subsequent version of this warranty is published, the terms of that warranty and what is covered by it will apply to storage tanks manufactured after the date specified in the subsequent version.

2. TERMS OF THE RHEEM WARRANTY AND EXCLUSIONS TO IT

- 2.1 The decision of whether to repair or replace a faulty component is at Rheem's sole discretion.
- 2.2 If you require a call out and we find that the fault is not covered by the Rheem warranty, you are responsible for our standard call out charge. If you wish to have the relevant component repaired or replaced by Rheem, that service will be at your cost.
- 2.3 Where a failed component or cylinder is replaced under this warranty, the balance of the original warranty period will remain effective. The replacement does not carry a new Rheem warranty.
- 2.4 Where the storage tank is installed outside the boundaries of a metropolitan area as defined by Rheem or further than 25 km from either a regional Rheem branch office or an Accredited Rheem Service Agent's / Centre's office, the cost of transport, insurance and travelling between the nearest branch office or Rheem Accredited Service Agent's / Centre's office and the installed site shall be the owner's responsibility.
- 2.5 Where the storage tank is installed in a position that does not allow safe or ready access, the cost of that access, including the cost of additional materials handling and/or safety equipment, shall be the owner's responsibility. In other words, the cost of dismantling or removing cupboards, doors or walls and the cost of any special equipment to bring the storage tank to floor or ground level or to a serviceable position is not covered by this warranty.
- 2.6 This warranty only applies to the original and genuine Rheem storage tank in its original installed location and any genuine Rheem replacement parts.
- 2.7 The Rheem warranty does not cover faults that are a result of:
 - a) Accidental damage to the storage tank or any component (for example: (i) Acts of God such as floods, storms, fires, lightning strikes and the like; and (ii) third party acts or omissions).
 - b) Misuse or abnormal use of the storage tank.
 - c) Installation not in accordance with the Owner's Guide and Installation Instructions or with relevant statutory and local requirements in the State or Territory in which the storage tank is installed.

RHEEM MAINS PRESSURE STORAGE TANK WARRANTY – AUSTRALIA AND NEW ZEALAND ONLY –

STORAGE TANK MODELS 61034050, 61043050

- d) Connection at any time to a water supply that does not comply with the water supply guidelines as outlined in the Owner's Guide and Installation Instructions.
 - e) Repairs, attempts to repair or modifications to the storage tank by a person other than Rheem Service or a Rheem Accredited Service Agent / Centre.
 - f) Faulty plumbing or faulty power supply.
 - g) Failure to maintain the storage tank in accordance with the Owner's Guide and Installation Instructions.
 - h) Transport damage.
 - i) Fair wear and tear from adverse conditions (for example, corrosion).
 - j) Cosmetic defects.
- 2.8 Subject to any statutory provisions to the contrary, this warranty excludes any and all claims for damage to furniture, carpet, walls, foundations or any other consequential loss either directly or indirectly due to leakage from the storage tank, or due to leakage from fittings and/ or pipe work of metal, plastic or other materials caused by water temperature, workmanship or other modes of failure.
- 2.9 If the storage tank is not sized to supply the hot water demand in accordance with the guidelines in the Rheem storage tank literature, any resultant fault will not be covered by the Rheem warranty.
- 2.10 In New Zealand this warranty excludes to the extent permissible all implied warranties set out in the Sale of Goods Act 1908 (New Zealand) and all guarantees set out in the Consumers Guarantees Act 1993 (New Zealand) to the extent that the goods are acquired for the purpose of resupply in trade consumption in the course of a process of production or manufacture or repairing or treating in trade other goods or fixtures on land.

3. WHAT IS COVERED BY THE RHEEM WARRANTY FOR THE STORAGE TANKS DETAILED IN THIS DOCUMENT

- 3.1 Rheem will repair or replace a faulty component of your storage tank if it fails to operate in accordance with its specifications as follows:

What components are covered	The period from the date of installation in which the fault must appear in order to be covered	What coverage you receive
610 series 34050, 43050 models		
All components	Year 1	Repair and/or replacement of the faulty component, free of charge, including labour.
The cylinder (if the storage tank is installed in a single-family domestic dwelling with a thermostat setting below 76°C)	Years 2 to 5	Repair and / or replacement of the cylinder, free of charge, including labour.
	Years 6 to 10	Replacement cylinder, free of charge. Installation and repair labour costs are the responsibility of the owner.
The cylinder (if the storage tank is <u>not</u> installed in a single-family domestic dwelling with a thermostat setting below 76°C)	Years 2 to 5	Replacement cylinder, free of charge. Installation and repair labour costs are the responsibility of the owner.

RHEEM MAINS PRESSURE STORAGE TANK WARRANTY – AUSTRALIA AND NEW ZEALAND ONLY –

STORAGE TANK MODELS 61034050, 61043050

4. ENTITLEMENT TO MAKE A CLAIM UNDER THIS WARRANTY

- 4.1 To be entitled to make a claim under this warranty you need to:
- a) Be the owner of the storage tank or have consent of the owner to act on their behalf.
 - b) Contact Rheem Service without undue delay after detection of the defect and, in any event, within the applicable warranty period.
- 4.2 You are **not** entitled to make a claim under this warranty if your storage tank:
- a) Does not have its original serial numbers or rating labels.
 - b) Is not installed in Australia or New Zealand.

5. HOW TO MAKE A CLAIM UNDER THIS WARRANTY

- 5.1 If you wish to make a claim under this warranty, you need to:
- a) Contact Rheem on 131031 in Australia or 0800 657 335 in New Zealand and provide owner's details, address of the storage tank, a contact number and date of installation of the storage tank or if that's unavailable, the date of manufacture and serial number (from the rating label on the storage tank).
 - b) Rheem will arrange for the storage tank to be tested and assessed on-site.
 - c) If Rheem determines that you have a valid warranty claim, Rheem will repair or replace the storage tank in accordance with this warranty.
- 5.2 Any expenses incurred in the making of a claim under this warranty will be borne by you.

6. THE AUSTRALIAN CONSUMER LAW

- 6.1 Our goods come with guarantees that cannot be excluded under the Australian Consumer Law. You are entitled to a replacement or refund for a major failure and for compensation for any other reasonably foreseeable loss or damage. You are also entitled to have the goods repaired or replaced if the goods fail to be of acceptable quality and the failure does not amount to a major failure.
- 6.2 The Rheem warranty (set out above) is in addition to any rights and remedies that you may have under the Australian Consumer Law.

7. THE CONSUMER GUARANTEES ACT 1993 (NEW ZEALAND)

- 7.1 Our goods come with guarantees that cannot be excluded under the Consumer Guarantees Act 1993 (New Zealand). If the goods fail to comply with the applicable guarantees set out under the Consumer Guarantees Act 1993 (New Zealand) being the guarantee as to acceptable quality, the guarantee as to correspondence with description or the guarantee as to repair and parts, or if the goods fail to comply with any express guarantee given by Rheem, then you are entitled to a replacement or refund and for compensation for any other reasonably foreseeable loss or damage.
- 7.2 The Rheem warranty (set out above) is in addition to any rights and remedies that you may have under the Consumer Guarantees Act 1993 (New Zealand).

SAFETY, WARNINGS, INSTALLATION NOTES

It is important you read the following safety and warnings information.

SAFETY AND WARNINGS

- This storage tank is only intended to be operated by persons who have the experience or the knowledge and the capabilities to do so.
- This storage tank is not intended to be operated by persons with reduced physical, sensory or mental capabilities i.e. the infirm, or by children. Children should be supervised to ensure they do not interfere with the water heater.
- If a remote thermostat (Tankstat) is fitted to the storage tank and the electrical conduit is damaged, it must be replaced by a qualified person in order to avoid a hazard. Phone Rheem Service or their nearest Accredited Service Agent / Centre to arrange for an inspection.
- This storage tank is supplied with a combination temperature pressure relief valve. This valve has a rating of 46 kW. If the primary heating source has an output exceeding this valve, additional relief valves are required. The valve(s) must not be tampered with or removed. The storage tank and its primary heating source must not be operated unless each of these devices is fitted and is in working order.

The Rheem warranty may not cover faults if relief valves or other safety devices are tampered with or if the installation is not in accordance with these instructions.

- The storage tank can store water up to a water temperature of 60°C to 82°C, depending upon the type of water heating system and the setting of the thermostats and control system.

Refer to “[How Hot Should The Water Be?](#)” on page 10.

- The lever on the temperature pressure relief valve and expansion control valve (if fitted) requires to be operated every six (6) months to clear any deposits and to ensure the valve and its drain line are not blocked.

Refer to “[Relief Valves](#)” on page 8 and “[Minor Maintenance Every Six Months](#)” on page 12.

- For continued safety of this water heating system it must be installed, operated and maintained in accordance with the Owner’s Guide and Installation Instructions.
- Servicing of a storage tank must only be carried out by qualified personnel. Phone Rheem Service or their nearest Accredited Service Agent / Centre.
- Only a person qualified to install or service a water heater can drain the storage tank, if this is required.
- Do not modify this storage tank.

RELIEF VALVES

Temperature Pressure Relief Valve

This storage tank incorporates a temperature pressure relief valve located near the top of the tank. This valve is essential for the storage tank's safe operation.

It is possible for the valve to discharge a quantity of water through the drain line during each heating period. This quantity should be equal to approximately 1/50 of the hot water used, as water expands by this volume when heated.

Expansion Control Valve

In many areas, including South Australia, Western Australia, New Zealand and scaling water areas, it is mandatory an expansion control valve is fitted to the cold water line to the storage tank.

The expansion control valve will discharge the quantity of water from its drain line during the heating period instead of the temperature pressure relief valve as it has a lower pressure rating.

Valve Operation

Continuous leakage of water from either valve and its drain line may indicate a problem with the water heater. Refer to **“Temperature Pressure Relief Valve or Expansion Control Valve Running”** on page 16.

⚠ Warning: Never block the outlet of either valve or their drain lines for any reason. A relief valve drain must be left open to atmosphere, and be installed in a continuously downward direction.

In locations where water pipes are prone to freezing, the relief valve drain line must be insulated and not exceed 300 mm in length before discharging into a tundish through an air gap.

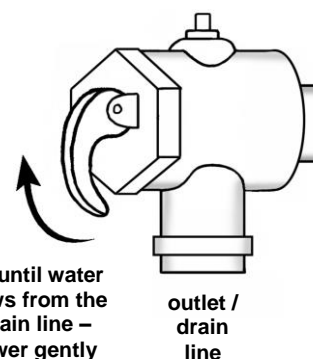
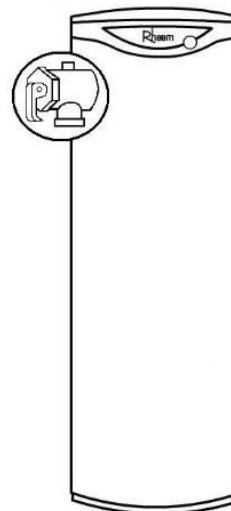
Operate the easing lever on the temperature pressure relief valve and expansion control valve once every six (6) months to clear any deposits and ensure the valve and its drain line are not blocked. **It is very important the lever is raised and lowered gently.** Refer to **“Minor Maintenance Every Six Months”** on page 12.

⚠ Warning: Water discharged from the temperature pressure relief valve drain line will be hot. Exercise care to avoid any splashing of water by standing clear of the drain line's point of discharge when operating either valve's easing lever.

⚠ Warning: Failure to operate the easing lever on the relief valve once every six (6) months may result in the water heater cylinder failing.

If water does not flow freely from the drain line when the lever is lifted, then the water heater must be checked. Phone Rheem Service or their nearest Accredited Service Agent / Centre to arrange for an inspection.

The temperature pressure relief valve should be replaced at intervals not exceeding five (5) years and the expansion control valve should be checked for performance or replaced at intervals not exceeding five (5) years. The checking of the valves performance or replacement should occur more frequently in areas where there is a high incidence of water deposits. Refer to **“Water Supplies”** on page 13.



INSTALLATION NOTES

This storage tank must be installed:

- by a qualified person,
- in accordance with the installation instructions,
- in compliance with the Plumbing Standard AS/NZS 3500.4,
 - This storage tank is designed for either indoor or outdoor installation.
 - This storage tank is intended to be permanently connected to the water mains and not connected by a hose-set. A braided flexible hose or semi-flexible connector may be used for connection to the water heater, where permitted by AS/NZS 3500.4.
- in compliance with all local codes and regulatory authority requirements.
- in New Zealand, the installation must also conform to Clauses G12 and H1 of the New Zealand Building Code.

Installation and commissioning requirements and details for the installing plumber are contained on [pages 17 to 37](#).

Mains pressure water supply

The storage tank is designed to operate at mains pressure by connecting directly to the mains water supply.

The storage tank is supplied with a temperature pressure relief valve with a pressure rating of 1000 kPa. If an expansion control valve has been installed on the cold water line to the storage tank, this should have a pressure rating of 850 kPa.

The maximum mains water supply pressure for the storage tank is 800 kPa if an expansion control valve is not installed, or 680 kPa if an expansion control valve is installed. If the mains supply pressure in your area exceeds these values, a pressure limiting valve must be installed.

The supply pressure should be greater than 350 kPa for true mains pressure operation to be achieved.

ABOUT YOUR STORAGE TANK

STORAGE TANK APPLICATION

This storage tank is designed for the purpose of storing heated potable water. Its use in an application other than this may shorten its life.

MODEL TYPE

The Rheem® Commercial hot water storage tank you have chosen can be installed indoor or outdoor and is either a 610 340 or 610 430 model.

Water is stored in a vitreous enamel lined steel cylinder and heated by an external primary heating source. The temperature is controlled by the thermostat(s) on the primary heating source. Automatic safety controls must be fitted to the primary heating source to provide safe and efficient operation.

HOW HOT SHOULD THE WATER BE?

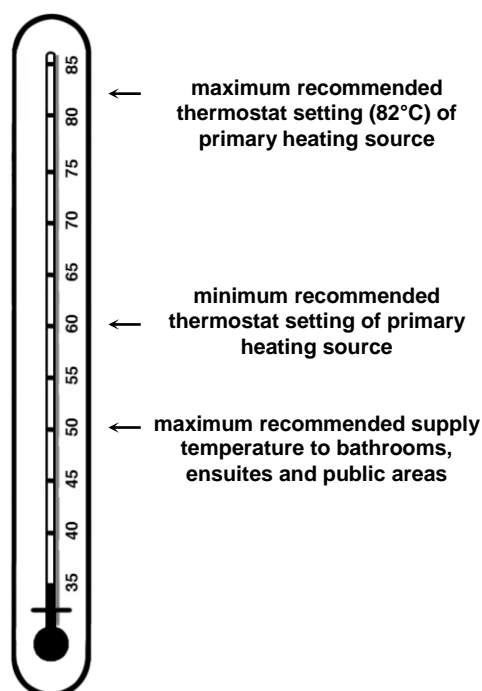
The storage tank is designed for a maximum recommended water temperature of 82°C. Refer to the installation instructions supplied with the primary heating source plant for further information on water temperatures.

If this storage tank is installed as part of a solar water heater, to maximise solar contribution it is recommended the thermostats of the in-series booster water heaters are set at 60°C if a dead leg system is installed or 65°C if a circulated flow and return system is installed, unless sanitising temperatures are required.

Note: AS 3498 requires that a water heater provides the means to inhibit the growth of Legionella bacteria in potable water.

If this storage tank is installed as part of a solar water heater to an in-series storage water heater, then this requirement of AS 3498 can be satisfied provided the storage water heater is energised and the thermostat setting is 60°C or higher.

If this storage tank is installed as part of a solar water heater to an in-series continuous flow gas booster, then this requirement of AS 3498 can be satisfied provided the booster is energised, its preset outlet temperature setting is 70°C or higher and a remote temperature controller is not used.



HOTTER WATER INCREASES THE RISK OF SCALD INJURY.

This storage tank can deliver water at temperatures which can cause scalding. Check the water temperature before use, such as when entering a shower or filling a bath or basin, to ensure it is suitable for the application and will not cause scald injury.

We recommend and it may also be required by regulations that an approved temperature limiting device be fitted into the hot water pipe work to the bathing and public areas when this storage tank is installed. This will keep the water temperature below 50°C or the maximum permitted by AS/NZS 3500.4 to these areas. The risk of scald injury will be reduced and still allow hotter water to the kitchen, laundry and other areas requiring sanitising temperatures.

TEMPERATURE ADJUSTMENT

We advise the thermostats of the primary heating plant are adjusted to the lowest temperature setting that meets your needs, especially if there are young children or elderly people in the premises, but they should not be set to less than 60°C. Refer to [“Hotter Water Increases the Risk of Scald Injury”](#) on page 10.

PRECAUTIONS

Where damage to property can occur in the event of the storage tank leaking, the storage tank must be installed in a safe tray or surrounded by a suitable bund. Construction, installation and draining of a safe tray or bund must comply with AS/NZS 3500.4 and all local codes and regulatory authority requirements. In New Zealand the safe tray or bund must also meet the requirements of Clause G12 of the New Zealand Building Code. AS/NZS 3500.4 and the NZBC also have particular requirements when a safe tray or bund must be installed.

The storage tank must be maintained in accordance with the Owner's Guide and Installation Instructions. Refer to "[Maintenance Requirements](#)" on page 12 and to "[Anode Inspection and Replacement](#)" on page 14.

If this storage tank is to be used where an uninterrupted hot water supply is necessary for your application or business you should ensure that you have back-up redundancy within the hot water system design. This should ensure the continuity of hot water supply in the event that this storage tank were to become inoperable for any reason. We recommend you seek advice from a plumber or specifier about your needs and building back-up redundancy into your hot water supply system.

TO TURN OFF THE STORAGE TANK

If it is necessary to turn off the storage tank:

- Turn off the primary water heating plant and switch off the electrical supply at the isolating switch to the circulating pump(s).
- Close the cold water isolation valve on the cold water line to the storage tank(s) to shut down the entire system, or;
- Close the isolation valves on the cold, flow / return and hot water branches to shut down an individual storage tank in a bank.

TO TURN ON THE STORAGE TANK

- Open the isolation valves fully on the cold, flow / return and hot water branches to the storage tank(s) installed in a bank.
- Open the cold water isolation valve on the cold water line to the storage tank(s). Air will be forced out of the taps.
- Switch on the electrical supply at the isolating switch to the circulating pump(s) and turn on the primary water heating plant.

VICTORIAN CUSTOMERS

Notice to Victorian Customers from the Victorian Building Authority. This storage tank must be installed by a licensed person as required by the Victorian Building Act 1993.

Only a licensed person will give you a Compliance Certificate, showing that the work complies with all the relevant Standards. Only a licensed person will have insurance protecting their workmanship for 6 years. Make sure you use a licensed person to install this storage tank and ask for your Compliance Certificate.

DOES THE WATER CHEMISTRY AFFECT THE STORAGE TANK?

The storage tank is suitable for most public water supplies, however some water chemistries may have detrimental effects on the storage tank, its components and fittings. Refer to "[Water Supplies](#)" on page 13.

If you are in a known harsh water area or you are not sure of your water chemistry, have your water checked against the conditions [described on pages 13 to 15](#).

HOW LONG WILL THE STORAGE TANK LAST?

The storage tank is supported by a manufacturer's warranty ([refer to page 4](#)). There are a number of factors that will affect the length of service the storage tank will provide. These include but are not limited to the water chemistry, the water pressure, the water temperature (inlet and outlet) and the water usage pattern. Refer to "[Precautions](#)" on page 11.

MAINTENANCE REQUIREMENTS

MINOR MAINTENANCE EVERY SIX MONTHS

It is recommended minor maintenance be performed every six (6) months. Minor maintenance can be performed by a responsible officer.

The minor maintenance includes:

- Operate the easing lever on the temperature pressure relief valve. **It is very important the lever is raised and lowered gently.** Refer to “Relief Valves” on page 8.

⚠ Warning: Water discharged from the temperature pressure relief valve drain line will be hot. Exercise care to avoid any splashing of water by standing clear of the drain line’s point of discharge when operating the valve’s easing lever.

- Operate the easing lever on the expansion control valve (if fitted). **It is very important the lever is raised and lowered gently.** Refer to “Relief Valves” on page 8.
- Check the drain line from the safe tray (if one is installed) is not blocked.

MAJOR SERVICE EVERY FIVE YEARS

It is recommended a major service be conducted on the water heater every five (5) years.

⚠ Warning: Servicing of the storage tank must only be carried out by qualified personnel. Phone Rheem Service or their nearest Accredited Service Agent / Centre.

Note: The major service and routine replacement of any components, such as the anode and relief valve(s), are not included in the Rheem warranty. A charge will be made for this work. Only genuine replacement parts should be used on this storage tank.

The major service includes the following actions:

- Replace the temperature pressure relief valve.
- Inspect and flush the expansion control valve (if fitted). If required, replace the valve.
- Inspect and if required, replace the anode.

If the anode is not replaced, it should be replaced within three years of this service (refer to “Anode Inspection and Replacement” on page 14).

- Drain and flush the storage tank if required.

In commercial applications where large volumes of hot water are used, sediment may build up on the bottom of the cylinder. In extreme cases, particularly in areas of high water sediment, draining and flushing out may be necessary.

- Visually check the unit for any potential problems.
- Inspect all connections.
- Check the drain line from the safe tray (if one is installed) is not blocked.

Note: The storage tank may need to be drained during this service. After the completion of the service, the water heater will take some time to reheat the water. Depending upon the heating source, hot water may not be available for a while.

WATER SUPPLIES

This storage tank must be installed in accordance with this advice to be covered by the Rheem warranty.

This storage tank is manufactured to suit the water conditions of most public reticulated water supplies. However, there are some known water chemistries which can have detrimental effects on the storage tank and its operation and / or life expectancy. If you are unsure of your water chemistry, you may be able to obtain information from your local water supply authority. This storage tank should only be connected to a water supply which complies with these guidelines for the Rheem warranty to apply.

CHANGE OF WATER SUPPLY

The changing or alternating from one water supply to another can have a detrimental effect on the operation and / or life expectation of a storage tank cylinder and a temperature pressure relief valve.

Where there is a changeover from one water supply to another, e.g. a rainwater tank supply, bore water supply, desalinated water supply, public reticulated water supply or water brought in from another supply, then water chemistry information should be sought from the supplier or it should be tested to ensure the water supply meets the requirements given in these guidelines for the Rheem warranty to apply.

ANODE

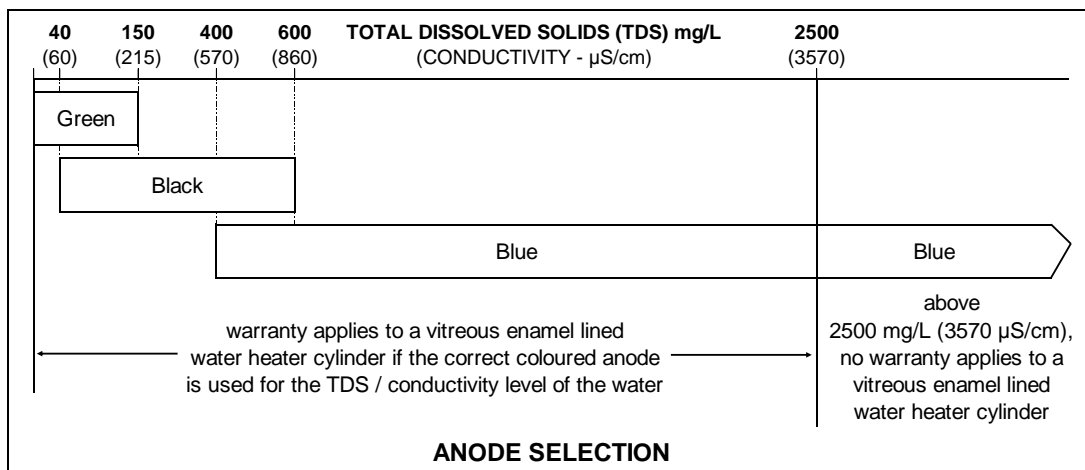
The vitreous enamel lined cylinder of the storage tank is only covered by the Rheem warranty when the total dissolved solids (TDS) content in the water is less than 2500 mg/L and when the correct colour coded anode is used. If an incorrect colour coded anode is used in the storage tank, any resultant faults will not be covered by the Rheem warranty. In addition, the use of an incorrect colour coded anode may shorten the life of the storage tank cylinder.

The correct colour coded anode must be selected and fitted to the storage tank in accordance with the following advice and the [Anode Selection chart](#) on page 13 for the Rheem warranty to apply to the storage tank cylinder.

Total Dissolved Solids	Anode colour code
0 – 40 mg/L	Green
40 – 150 mg/L	Green or Black
150 – 400 mg/L	Black
400 – 600 mg/L	Black or Blue
600 – 2500 mg/L	Blue
2500 mg/L +	Blue (no cylinder warranty)

The changing of an anode must be carried out by a qualified person.

Note: Some water analysis reports may state the conductivity of the water rather than the level of total dissolved solids. Conductivity, measured in microsiemens per centimetre ($\mu\text{S} / \text{cm}$), is directly proportional to the TDS content of the water. TDS, in mg / L, is approximately 70% of the conductivity in $\mu\text{S} / \text{cm}$.



ANODE INSPECTION AND REPLACEMENT

The anode installed in your storage tank will slowly dissipate whilst protecting the cylinder. The life of the cylinder may be extended by replacing the anode.

For water supplies which are either softened or desalinated, or where the water supply may alternate between a water tank and a reticulated public supply or another supply, or where there is a variable supply (e.g. from a bore or public reticulated supply from various water sources), the anode must be inspected (and replaced if there is any sign of depletion) within 5 years of its installation.

For all water supplies, if the anode is not replaced during a major service (refer to “Major Service Every Five Years” on page 12) then the maximum time after installation when the anode should be replaced for this storage tank is 8 years.

CAUTION

If the water supply has a TDS greater than 150 mg/L and a green anode has not been changed to a black anode, or if the TDS is greater than 600 mg/L and the anode has not been changed to a blue anode, there is the possibility the anode may become overactive and hydrogen gas could accumulate in the top of the storage tank during long periods of no use. In areas where this is likely to occur, the installer should instruct the householder on how to dissipate the gas safely.

If, under these conditions, the storage tank has not been used for two or more weeks the following procedure should be carried out before using any electrical appliances (automatic washing machines and dishwashers) which are connected to the hot water supply.

The hydrogen, which is highly flammable, should be vented safely by opening a hot tap and allowing the water to flow. There should be no smoking or naked flame near the tap whilst it is turned on. Any hydrogen gas will be dissipated. This is indicated by an unusual spurting of the water from the tap. Once the water runs freely, any hydrogen in the system will have been released.

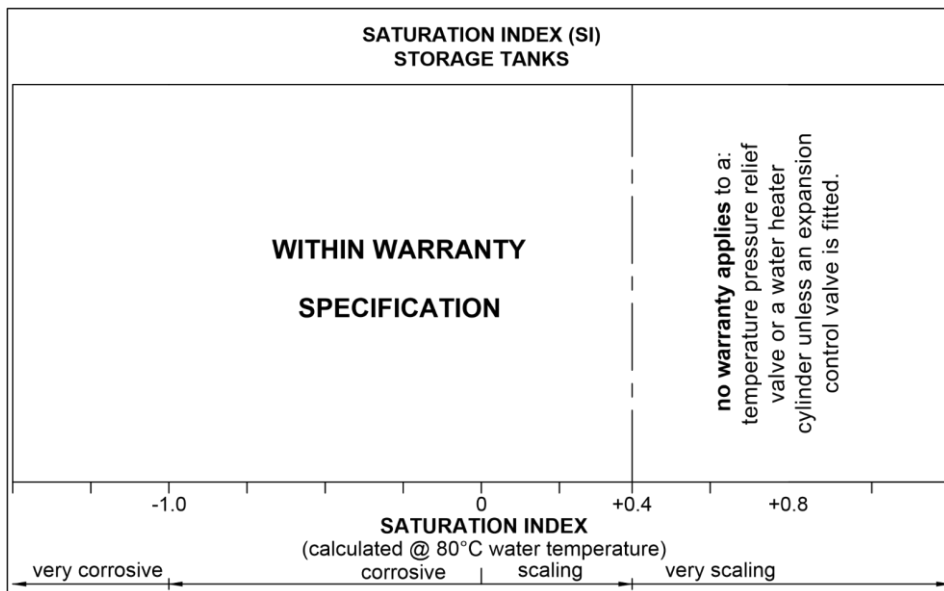
SATURATION INDEX

The saturation index (SI) is used as a measure of the water’s corrosive or scaling properties. The saturation index figures stated are calculated using a water temperature of 80°C.

In a corrosive water supply, the water can attack copper parts and cause them to fail.

In a scaling water supply calcium carbonate is deposited out of the water onto any hot metallic surface. Where the saturation index exceeds +0.40, the water is very scaling. An expansion control valve must be fitted on the cold water line after the non-return valve to protect and for the Rheem warranty to apply to the temperature pressure relief valve and storage tank cylinder. Water which is scaling may be treated with a water softening device to reduce the saturation index of the water.

Refer to the [Saturation Index chart](#) on page 14. Refer to the [cold water connection detail](#) on page 24 for the position of the expansion control valve.



SUMMARY OF WATER CHEMISTRY ADVICE AFFECTING WARRANTY

The storage tank and its components are not suitable for certain water chemistries. Those chemistries are listed below. If the storage tank is connected at any time to a water supply with the following water chemistry, the Rheem warranty will not cover any resultant faults on the components listed below:

Water Chemistry	Component
Total Dissolved Solids (TDS) > 2500 mg/L	storage tank cylinder
Total Dissolved Solids (TDS) not suitable for anode type	storage tank cylinder
Saturation Index (SI) > +0.4 (if an expansion control valve is not fitted)	storage tank cylinder temperature pressure relief valve

SAVE A SERVICE CALL

Check the items below before making a service call. You will be charged for attending to any condition or fault that is not related to manufacture or failure of a part.

NOT ENOUGH HOT WATER (OR NO HOT WATER)

- **Are you using more hot water than you think?**
Are outlets (especially the showers) using more hot water than you think? Very often it is not realised the amount of hot water used, particularly when showering. Carefully review the hot water usage. Have a plumber fit a flow control valve to each shower outlet to reduce water usage.
- **Relief valve running**
Is the relief valve discharging too much water? Refer to “Temperature Pressure Relief Valve or Expansion Control Valve Running” on page 16.
- **Thermostat setting**
Ensure the thermostat setting of the primary heating source is appropriate. You may choose to have your electrician adjust the thermostats upwards to gain additional hot water capacity.



⚠ Warning: Hotter water increases the risk of scald injury.

- **Water heater size**
Do you have the correct size water heater or sufficient storage for your requirements? The sizing guide in the Rheem sales literature and on the Rheem website (www.rheem.com.au) suggests average sizes that may be needed.

TEMPERATURE PRESSURE RELIEF VALVE OR EXPANSION CONTROL VALVE RUNNING

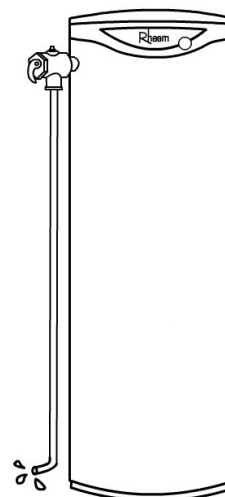
- **Normal Operation**
It is normal and desirable the temperature pressure relief valve or expansion control valve (if fitted) allows a quantity of water to escape during the heating cycle. This quantity should be equal to approximately 1/50 of the hot water used, as water expands by this volume when heated. However, if it discharges more than a bucket full of water in 24 hours, there may be another problem.

The expansion control valve (if fitted) will discharge water instead of the temperature pressure relief valve as it has a lower pressure rating. A benefit is that energy is conserved as the discharged water is cooler. This valve is installed in the cold water line to the storage tank (refer to the [cold water connection diagram](#) on page 24).

- **Continuous dribble**
Try gently raising the easing lever on the relief valve for a few seconds (refer to “Relief Valves” on page 8). This may dislodge a small particle of foreign matter and clear the fault. Release the lever gently.
- **Steady flows for long period (often at night)**
This may indicate the mains water pressure sometimes rises above the designed pressure of the storage tank. Ask a plumber to fit a pressure limiting valve.

⚠ Warning: Never replace the relief valve with one of a higher pressure rating.

- **Heavy flows of hot water from the temperature pressure relief valve until storage tank is cold - then stops until water reheats**
The primary heating source **must** be shut down and the energy source isolated. Phone Rheem Service or their nearest Accredited Service Agent / Centre to arrange for inspection.



IF YOU HAVE CHECKED ALL THE FOREGOING AND STILL BELIEVE YOU NEED ASSISTANCE, PHONE RHEEM SERVICE OR THEIR NEAREST ACCREDITED SERVICE AGENT / CENTRE

INSTALLATION

THIS STORAGE TANK IS NOT SUITABLE FOR POOL HEATING

INSTALLATION STANDARDS

The storage tank must be installed:

- by a qualified person, and
- in accordance with the installation instructions, and
- in compliance with Standard AS/NZS 3500.4 and all local codes and regulatory authority requirements.

In New Zealand the installation must also conform to Clauses G12 and H1 of the New Zealand Building Code.

All packaging materials must be removed from the storage tank prior to its installation. This includes the removal of the cardboard base of the carton from the underside of the storage tank.

STORAGE TANK APPLICATION

This storage tank is designed for the purpose of storing heated potable water. Its use in an application other than this may shorten its life.

If this storage tank is to be used where an uninterrupted hot water supply is necessary for the application or business, then there should be back-up redundancy within the hot water system design. This should ensure the continuity of hot water supply in the event that this storage tank was to become inoperable for any reason. We recommend you provide advice to the system owner about their needs and building back-up redundancy into the hot water supply system.

Note: AS 3498 requires that a water heater provides the means to inhibit the growth of Legionella bacteria in potable water.

If this storage tank is installed as part of a solar water heater to an in-series storage water heater, then this requirement of AS 3498 can be satisfied provided the storage water heater is energised and the thermostat setting is 60°C or higher.

If this storage tank is installed as part of a solar water heater to an in-series continuous flow gas booster, then this requirement of AS 3498 can be satisfied provided the booster is energised, its preset outlet temperature setting is 70°C or higher and a remote temperature controller is not used.

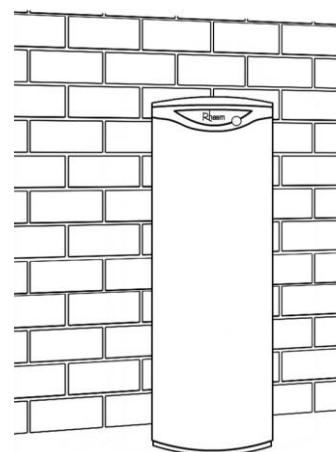
STORAGE TANK LOCATION

This storage tank is suitable for either outdoor or indoor installation. Whether located outdoor or indoor, the storage tank should be installed either close to the most frequently used outlets or with a circulated flow and return system, and its position chosen with safety and service in mind.

Clearance must be allowed for servicing of the storage tank. The storage tank must be accessible without the use of a ladder or scaffold. Make sure the temperature pressure relief valve lever is accessible and the thermostat (Tankstat) if fitted can be removed for service.

You must be able to read the information on the rating plate. If possible leave headroom of one storage tank height so the anode can be inspected or replaced. Remember you may have to take the entire storage tank out later for servicing.

The storage tank is to be installed at ground or floor level and must stand vertically upright on a stable base as acceptable to local authorities. The base of the storage tank is made of corrosion resistant material, and it may be placed directly in contact with the supporting surface. It is not necessary to allow for free air circulation under the base of the storage tank.



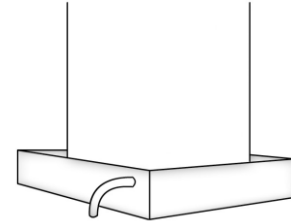
Note: The storage tank should not be placed in direct contact with a concrete surface that is less than two months old and not fully cured as this may attack the metal coating of the storage tank base. A moisture barrier should be used between the two surfaces in this instance. The barrier should extend at least 100 mm from the water heater and may be trimmed after two months.

Remember all local authorities have regulations about putting storage tanks into roof spaces.

For a single storage tank installation, follow the [diagram on page 23](#). For multiple storage tank installations follow the [instructions on pages 29 to 34](#).

SAFE TRAY

Where damage to property can occur in the event of the storage tank leaking, the storage tank must be installed in a safe tray or surrounded by a suitable bund. Construction, installation and draining of a safe tray or bund must comply with AS/NZS 3500.4 and all local codes and regulatory authority requirements. In New Zealand the safe tray or bund must also meet the requirements of Clause G12 of the New Zealand Building Code. AS/NZS 3500.4 and the NZBC also have particular requirements when a safe tray or bund must be installed.

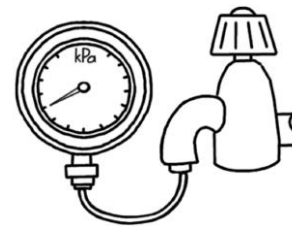


MAINS WATER SUPPLY

Where the mains water supply pressure exceeds that shown in the table below, an approved pressure limiting valve is required and should be fitted as shown in the [cold water connection diagram on page 24](#)

Model	340, 430
Temperature pressure relief valve setting	1000kPa
Expansion control valve setting*	850kPa
Maximum mains supply pressure	
With expansion control valve	680kPa
Without expansion control valve	800kPa

* Expansion control valve not supplied with storage tank



TANK WATER SUPPLY

If the storage tank is supplied with water from a tank supply and a pressure pump system is not installed, then the bottom of the supply tank must be at least 1 m above the highest point of the hot water plumbing system, including the storage tank. Care must be taken to avoid air locks. The cold water line to the storage tank should be adequately sized and fitted with a full flow gate valve or ball valve. Consideration must be given to any minimum water supply pressure requirements of water heater(s) which are part of the hot water plumbing system.

HOT WATER DELIVERY

This storage tank can deliver water at temperatures which can cause scalding.

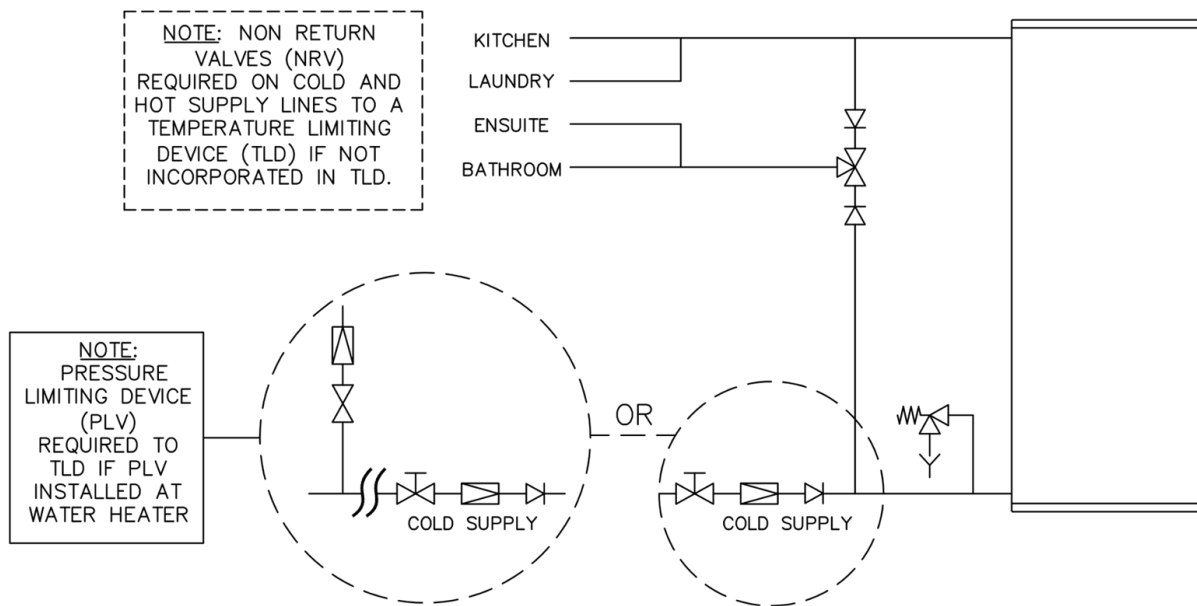
It is necessary and we recommend that a temperature limiting device be fitted between the storage tank and the hot water outlets in any ablution and public areas such as bathrooms, ensuites or public amenities to reduce the risk of scalding. The installing plumber may have a legal obligation to ensure the installation of this storage tank meets the delivery water temperature requirements of AS/NZS 3500.4 so that scalding water temperatures are not delivered to a bathroom, ensuite, or other ablution or public area.

Where a temperature limiting device is installed adjacent to the storage tank, the cold water line to the temperature limiting device can be branched off the cold water line either before or after the isolation valve and pressure limiting valve to the solar storage tank, but it **MUST BE** before the non-return valve. If an expansion control valve is required, it must always be installed after the non-return valve and be the last valve prior to the solar storage tank.

Warning: A non-return valve **MUST BE** installed on the cold water line to the solar storage tank **AFTER** the cold water branch to a temperature limiting device.

If a combination isolation valve and non-return valve (duo or trio valve) is installed on the cold water line to the storage tank and the cold water line to the temperature limiting device branches off after this valve, then a second non-return valve must be installed between the cold water branch and the solar storage tank.

If a pressure limiting valve is installed on the cold water line to the storage tank and the cold water line to a temperature limiting device branches off before this valve or from another cold water line in the premises, then a pressure limiting valve of an equal pressure setting may be required prior to the temperature limiting device.



Two Temperature Zones Using a Temperature Limiting Device

CIRCULATED HOT WATER FLOW AND RETURN SYSTEM

If a storage tank is used with a primary water heating source and is to be installed as part of a circulated hot water flow and return system, the primary heating source must be able to provide a hot water outlet temperature of at least 60°C.

If a storage tank is used as part of a solar water heater, it should not be installed as part of a circulated hot water flow and return system in a building, unless the system and control system is specifically designed for this. Otherwise, the benefits of solar gain will be significantly reduced and energy gained from the sun lost through the pipe work.

If a circulated flow and return system is required, it is necessary to connect the flow and return lines to the in-series booster water heater, not the solar storage tank. The in-series booster water heater makes up for the pipe heat loss in the flow and return system and must be able to provide a hot water outlet temperature of at least 60°C.

Note: The thermostat or preset outlet temperature of the primary heating source or in-series booster water heater must always be set to at least 60°C.

Refer to the diagram [Circulated Hot Water Flow and Return System Storage Tank with Primary Water Heater](#) on page 20.

Temperature Limiting Device

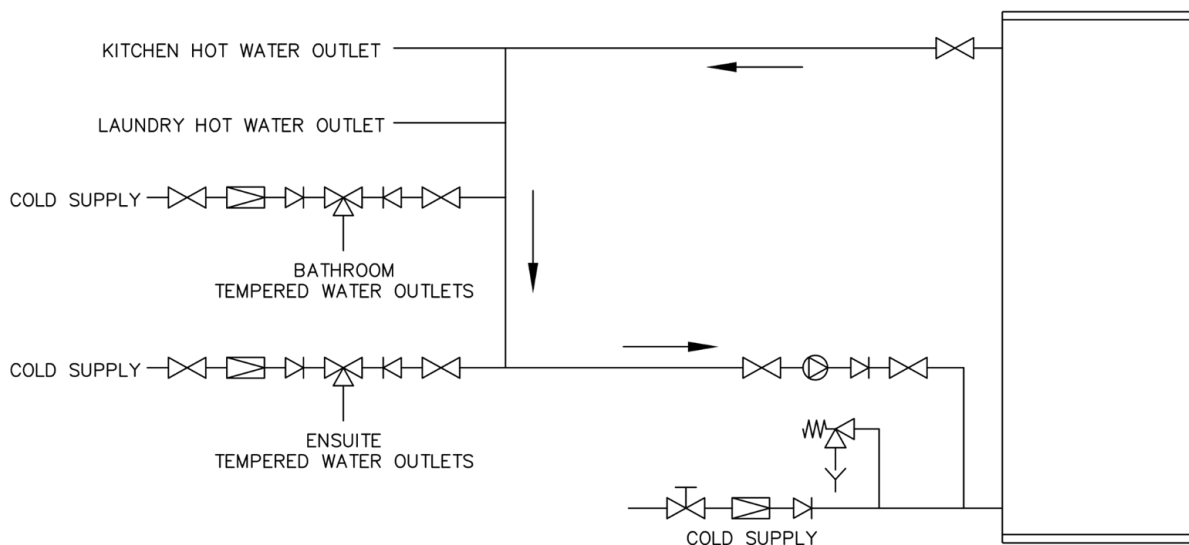
A temperature limiting device cannot be installed in circulated hot water flow and return pipe work unless it is specifically designed to do so, such as the Rheem Guardian warm water system.

The tempered water from a temperature limiting device cannot be circulated. Where a circulated hot water flow and return system is required in a building, a temperature limiting device can only be installed on a dead leg, branching off the circulated hot water flow and return pipe.

If circulated tempered water were to be returned back to the water heater or storage tank, depending on the location of the return line connection on the water supply line to the water heater or storage tank, then either:

- water will be supplied to the cold water inlet of the temperature limiting device at a temperature exceeding the maximum recommended water supply temperature, or
- when the hot taps are closed no water will be supplied to the cold water inlet of the temperature limiting device whilst hot water will continue to be supplied to the hot water inlet of the temperature limiting device.

These conditions may result in either water at a temperature exceeding the requirements of AS/NZS 3500.4 being delivered to the hot water outlets in the ablution areas, or the device closing completely and not delivering water at all, or the device failing. Under either condition, the operation and performance of the device cannot be guaranteed.



**Circulated Hot Water Flow and Return System
Storage Tank with Primary Water Heater**

REDUCING HEAT LOSSES

The cold water line to, primary flow and return lines and the hot water line from the storage tank must be insulated in accordance with the requirements of AS/NZS 3500.4. The insulation must be weatherproof and UV resistant if exposed.

Keep temperature settings down. Lower temperatures reduce heat losses and prolong cylinder life. Do not set the controlling thermostats on the primary heating plant above 70°C unless it is necessary.

ANODE

The vitreous enamel lined cylinder of the storage tank is only covered by the Rheem warranty when the total dissolved solids (TDS) content in the water is less than 2500 mg/L and when the correct colour coded anode is used. If an incorrect colour coded anode is used in the storage tank, any resultant faults will not be covered by the Rheem warranty. In addition, the use of an incorrect colour coded anode may shorten the life of the storage tank cylinder.

The correct colour coded anode for the water supply being used must be selected and fitted to the storage tank for the Rheem warranty to apply to storage tank cylinder (refer to “Water Supplies” on page 13 and the Anode Selection chart on page 13). The black anode is typically fitted as standard.

Total Dissolved Solids	Anode colour code
0 – 40 mg/L	Green
40 – 150 mg/L	Green or Black
150 – 400 mg/L	Black
400 – 600 mg/L	Black or Blue
600 – 2500 mg/L	Blue
2500 mg/L +	Blue (no cylinder warranty)

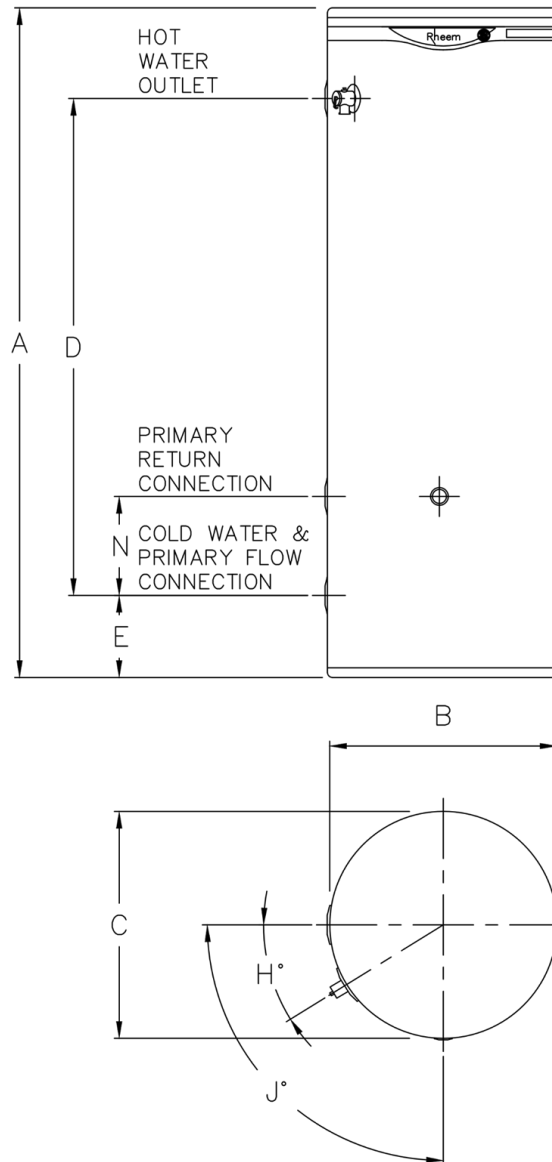
If the water supply has a TDS greater than 150 mg/L and a green anode has not been changed to a black anode, or if the TDS is greater than 600 mg/L and the anode has not been changed to a blue anode, there is the possibility the anode may become overactive and hydrogen gas could accumulate in the top of the storage tank during long periods of no use. In areas where this is likely to occur, the installer should instruct the householder on how to dissipate the gas safely (refer to “Caution” on page 14).

SADDLING PIPE WORK

To prevent damage to the cylinder when attaching pipe clips or saddles to the storage tank jacket, we recommend the use of self-drilling screws with a maximum length of 13 mm. Should pre drilling be required, extreme caution must be observed when penetrating the jacket of the storage tank.

Note: If the cylinder is damaged as a result of attaching pipe clips or saddles to the jacket, any resultant faults will not be covered by the Rheem warranty.

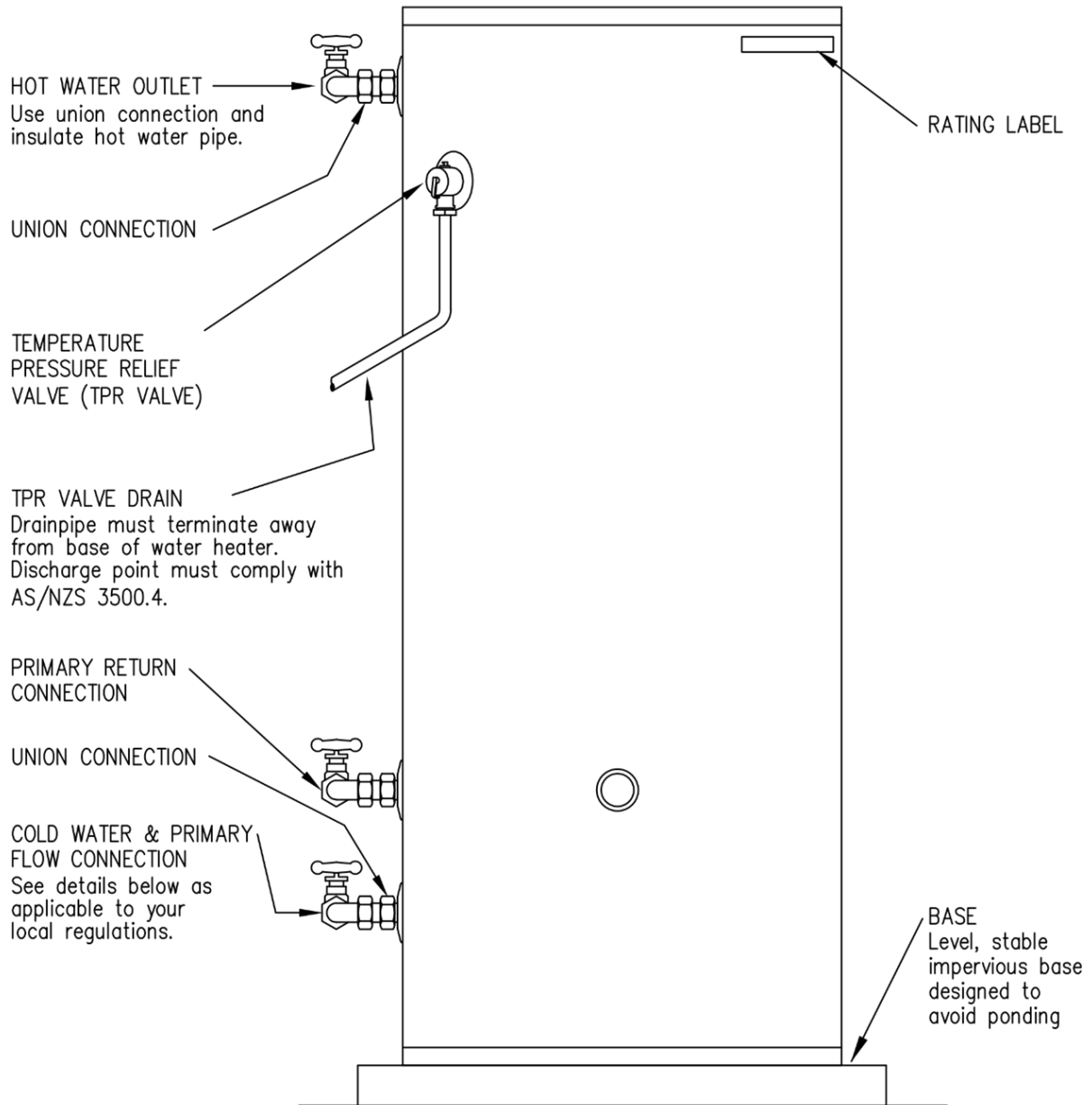
DIMENSIONS AND TECHNICAL DATA



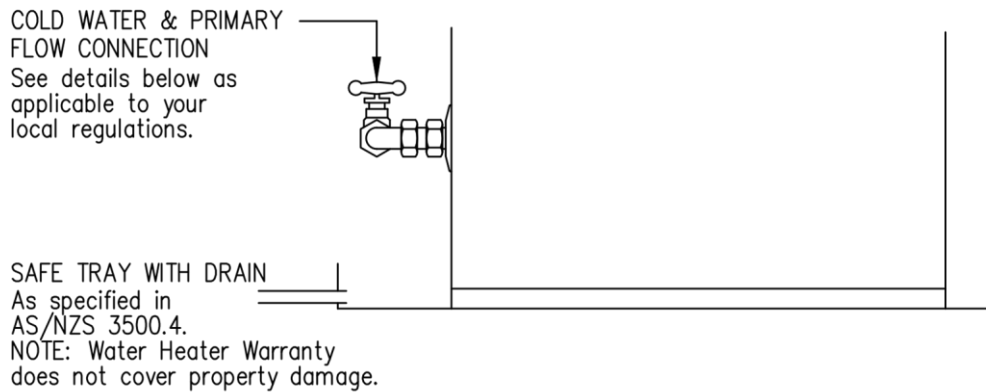
Model			610 340 50	610 430 50
Storage Capacity		litres	325	410
Hot Water Delivery		litres	315	400
Maximum Storage Temperature		°C	82	82
Nominal Dimensions (mm)	A	mm	1640	1840
	B	mm	640	690
	C	mm	640	690
	D	mm	1298	1482
	E	mm	115	108
	H	degrees	32	30
	J	degrees	90	84
	N	mm	290	273
Weight	cartoned	kg	96	117
	full	kg	417	523
Manifold - minimum centre to centre		mm	900	940

Technical data is subject to change.

TYPICAL INSTALLATION – OUTDOOR LOCATION



TYPICAL INSTALLATION – INDOOR LOCATION



CONNECTIONS – PLUMBING

All plumbing work must be carried out by a qualified person and in accordance with the Standard AS/NZS 3500.4 and all local codes and regulatory authority requirements. In New Zealand the installation must also conform to Clauses G12 and H1 of the New Zealand Building Code.

CONNECTION SIZES

- Hot water connection: Rp 2
- Cold water connection: Rp 2
- Primary flow / return connection: Rp 2
- Relief valve connection: Rp 3/4

WATER INLET AND OUTLET

All pipe work must be cleared of foreign matter before connection and purged before attempting to operate the storage tank. All olive compression fittings must use brass or copper olives. Use an approved thread sealant such as Teflon tape on all threaded joints.

An isolation valve and non-return valve must be installed on the cold water line to the storage tank. An acceptable arrangement is shown in the diagram and on pages 31 or 35 for multiple installations. Refer also to “Hot Water Delivery” on page 19 and to “Mains Water Supply” on page 18.

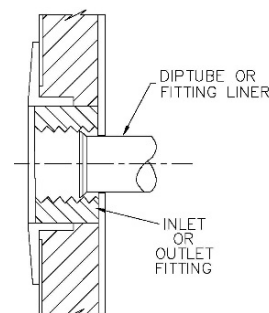
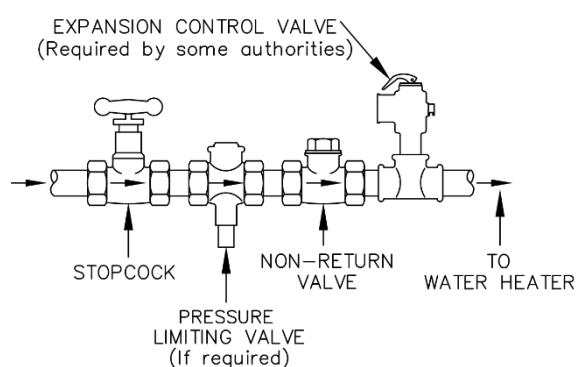
A disconnection union must always be provided at the cold water inlet, primary flow / return connection and hot water outlet on the storage tank to allow for disconnection of the storage tank.

This storage tank has either a plastic dip tube or fitting liner in the inlet and outlet fittings (see diagram). These must be in place for the storage tank to function properly. Do not remove or damage them by using heat nearby. They will be pushed into the correct position as the fitting is screwed in.

This water heater is intended to be permanently connected to the water mains and not connected by a hose-set. A braided flexible hose or semi-flexible connector may be used for connection to the water heater, where permitted by AS/NZS 3500.4.

PIPE SIZES

The pipe sizing of hot water supply systems for commercial installations should be carried out by persons competent to do so, choosing the most suitable pipe size for each individual application. Reference to the technical specifications of the primary heating source, storage tank and local regulatory authority requirements must be made.



TEMPERATURE PRESSURE RELIEF VALVE

The temperature pressure relief valve is shipped in a plastic bag attached to the storage tank. The temperature pressure relief valve must be fitted before the storage tank is operated. Before fitting the relief valve, make sure the probe has not been bent.

To fit the relief valve:

- Seal the thread with an approved thread sealant such as Teflon tape - never hemp. Make sure tape does not hang over the end of the thread.
- Hand tighten the valve into the opening marked "Relief Valve" (refer to the [installation diagram](#) on page 23).
- Using a spanner engaged on the valve's spanner flats and applying medium pressure to tighten, turn the relief valve an additional ½ to 1 ½ turns to secure and make the joint water tight, leaving the valve drain pointing downwards.

⚠ Warning: Do not use a pipe wrench or poor fitting tool on the valve body nor over tighten the valve, as this could damage the valve and prevent safe operation.

- Operate the easing lever on the valve to check the smooth operation of the valve plunger. It is very important the lever is raised and lowered gently. The lever should move smoothly and without undue force.
- If the lever cannot be moved or is jerky in its movement, then the valve has been damaged and must be replaced.
- A copper drain line must be fitted to the temperature pressure relief valve (refer to "[Relief Valve Drain](#)" on page 26).
- The valve must be insulated with closed cell polymer insulation or similar (minimum thickness 9 mm) and the insulation installed so as not to impede the operation of the valve.

The insulation must be weatherproof and UV resistant if exposed.

EXPANSION CONTROL VALVE

Local regulations may make it mandatory to install an expansion control valve (ECV) in the cold water line to the storage tank. In other areas, an ECV is required if the saturation index is greater than +0.4 (refer to "[Water Supplies](#)" on page 13).

The expansion control valve must always be installed after the non-return valve and be the last valve installed prior to the storage tank ([refer to diagram on page 24](#)). A copper drain line must be fitted to the expansion control valve ([refer to "Relief Valve Drain" on page 26](#)).

The valve, if installed within 500 mm of the water heater, must be insulated with closed cell polymer insulation or similar (minimum thickness 9 mm) and the insulation installed so as not to impede the operation of the valve. The insulation must be weatherproof and UV resistant if exposed.

RELIEF VALVE DRAIN

DN20 copper drain lines must be fitted to the temperature pressure relief valve and expansion control valve (if one is installed) to carry the discharge clear of the storage tank. Connect the drain lines to the valves using disconnection unions. The drain line from the valve to the point of discharge should be as short as possible, have a continuous fall all the way from the storage tank to the discharge outlet and have no tap, valves or other restrictions in the pipe work. A drain line from a relief valve must comply with the requirements of AS/NZS 3500.4.

A drain line must be no longer than 9 metres with no more than three bends greater than 45° before discharging at an outlet or air break. The maximum length of 9 metres for a drain line is reduced by 1 metre for each additional bend required of greater than 45°, up to a maximum of three additional bends. Where the distance to the point of final discharge exceeds this length, the drain line can discharge into a tundish.

Subject to local regulatory authority approval, the drain lines from the temperature pressure relief valve and expansion control valve from an individual storage tank may be interconnected.

The outlet of a drain line must be in such a position that flow out of the pipe can be easily seen, but arranged so discharge will not cause injury, damage or nuisance. The termination point of a drain line must comply with the requirements of AS/NZS 3500.4. Drain lines must not discharge into a safe tray.

In locations where water pipes are prone to freezing, drain lines must be insulated, must not exceed 300 mm in length and are to discharge into a tundish through an air gap of between 75 mm and 150 mm.

If a drain line discharges into a tundish, the drain line from the tundish must be not less than DN25. The drain line from a tundish must meet the same requirements as for a drain line from a relief valve.

For multiple installations the drain lines from several storage tanks can discharge into a common tundish (refer to [“Multiple Installations”](#) on pages 29 and 30).

⚠ Warning: As the function of the temperature pressure relief valve on this storage tank is to discharge high temperature water under certain conditions, it is strongly recommended the pipe work downstream of the relief valve be capable of carrying water exceeding 93°C. Failure to observe this precaution may result in damage to pipe work and property.



WARNING: Plumber – Be Aware

- The primary flow and return pipes between the storage tank(s) and the primary water heating source, including the solar hot and solar cold pipes between the solar storage tank(s) and the solar collectors, **MUST BE** of copper. All compression fittings must use brass or copper olives.
- Plastic pipe **MUST NOT** be used, as it will not withstand the temperature of the water generated by the primary heating source under certain conditions. The primary heating source may generate extremely high water temperatures and high water pressure of 1000 kPa. Plastic pipe cannot withstand these temperatures and pressures, and **MUST NOT** be used. Failure of plastic pipe can lead to the release of high temperature water and cause severe water damage and flooding.
- A non-return valve **MUST BE** installed on the cold water line to the storage tank **AFTER** the cold water branch to a temperature limiting device.
- The full length of the primary flow and return pipes **MUST BE** insulated.

The insulation must:

- be of a type suitable for the application and capable of withstanding the temperature of the water generated by the primary water heating source

The specification of the chosen insulation material should be checked with the insulation manufacturer prior to installation as different materials may vary in temperature tolerance.

Closed cell type or equivalent insulation used between the storage tank(s) and solar collectors, if this storage tank is part of a solar water heater installation, must be able to withstand the temperature of the water generated by the solar collectors under stagnation conditions. Refer to the installation instructions provided with the solar controller for full details on the insulation requirements of the solar hot and solar cold pipes.

- be at least 13 mm thick, however thicker insulation may be required to comply with the requirements of AS/NZS 3500.4
- be weatherproof and UV resistant if exposed
- be fitted up to and cover the connections on both the storage tank(s) and the primary heating source.

The insulation will reduce pipe heat losses and also assist in avoiding accidental contact with the pipe work as high temperature water can flow from the primary heating source and the storage tank(s).

- In addition, the insulation on the solar hot and solar cold pipes must also:
 - extend through any penetrations in the eaves, ceiling and roof
 - cover valves and fittings in the solar hot and solar cold pipe work

Note: Failure to observe these requirements also increases the risk of freeze damage.

The insulation is essential to assist in providing freeze protection and will offer protection to a metal roof against corrosion due to water running off the copper pipes.

Uninsulated pipe work, including concealed in cavities and roof spaces or where it may be in contact with a metal roof, may lead to freeze damage. The system has NO WARRANTY for freeze damage if the solar hot and solar cold pipes are not insulated in accordance with the installation instructions.

CONNECTIONS – ELECTRICAL

The power supply to the primary heating source and circulating pumps must not be switched on until the storage tank is filled with water and a satisfactory megger reading is obtained.

No electrical connections are required to be made on the storage tank, except if a remote thermostat is fitted. All electrical work and permanent wiring must be carried out by a qualified person and in accordance with the Wiring Rules AS/NZS 3000 and all local codes and regulatory authority requirements.

REMOTE THERMOSTAT

It is possible to connect a remote thermostat (Tankstat), Rheem part number 56609162, to the storage tank. The thermostat well is located at the front of the storage tank at the same height as the primary return connection.

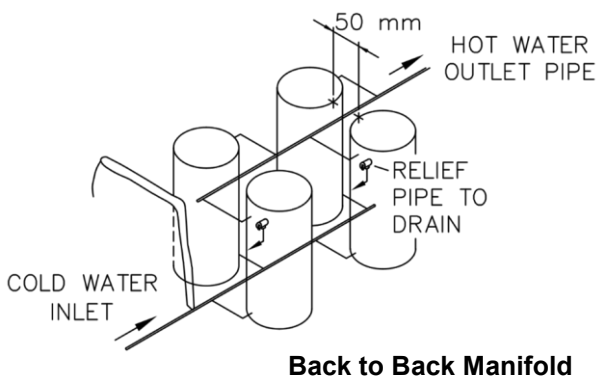
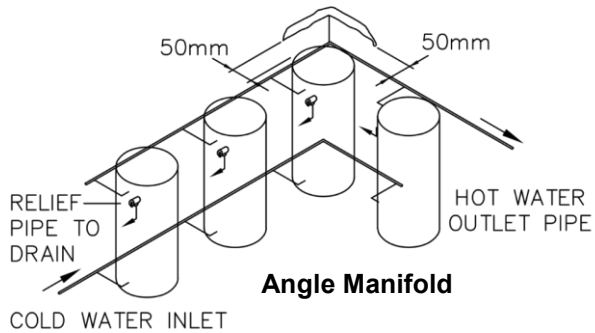
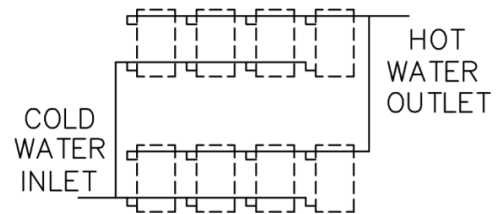
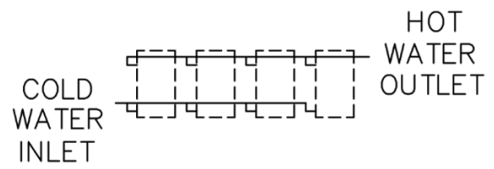
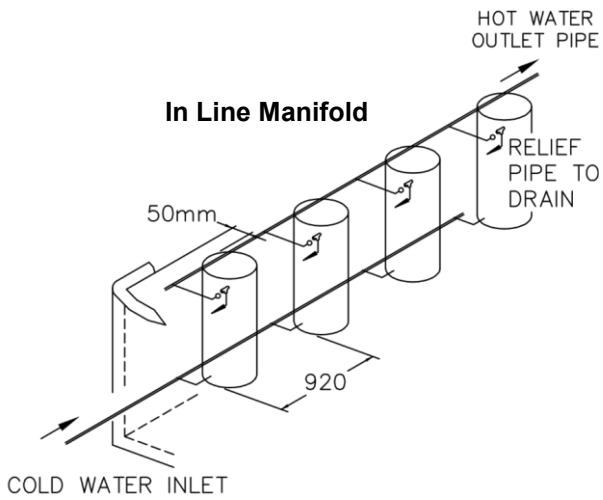
MULTIPLE INSTALLATIONS

A multiple installation of Rheem storage tanks on a single manifold or multiple manifolds is possible, using the Rheem Equa-Flow® manifold system, where large volumes of hot water is required. The Equa-Flow principle will function with storage tanks in line, around a corner or in rows back to back (refer to the diagrams on page 30).

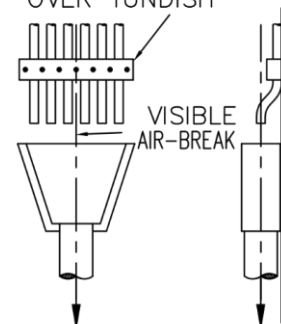
The cold water and hot water manifolds must be designed to balance the flow from each storage tank. To achieve this, there are basic installation requirements and principles which must be followed:

1. The maximum number of storage tanks in a bank should be 8, however several banks of storage tanks can be installed.
2. The hot water line from the manifold must leave from the opposite end to which the cold water line enters the manifold.
3. The storage tanks must be of the same model.
4. The cold water line, cold and hot headers and hot water line must be sized to meet the requirements of both AS/NZS 3500.4 and the application.
5. The primary flow and return lines must be sized to meet the requirements of AS/NZS 3500.4 and suit the primary heating source. Refer to the literature supplied with the primary heating source.
6. A non-return valve, isolation valve and if required a pressure limiting valve and expansion control valve, must be installed on the cold water line to the system.
7. A full flow gate valve or ball valve (not a stop tap, as used on a single storage tank installation) must be installed on the cold water branch, primary flow /return branch and hot water branch of each storage tank.
8. Non-return valves or pressure limiting valves must not be installed on the branch lines to the storage tanks.
9. All fittings, valves and branch lines must be matched sets all the way along the manifold.
10. Sufficient space must be left to enable access, servicing or removal of any storage tank.
11. The temperature pressure relief valve drain line from each storage tank can terminate at a common tundish (funnel) with a visible air break at each drain discharge point (refer to the diagram on page 30 and to "Relief Drain Line" on page 26).

Refer to the diagrams on pages 30 to 36 for installation and plant layout details.



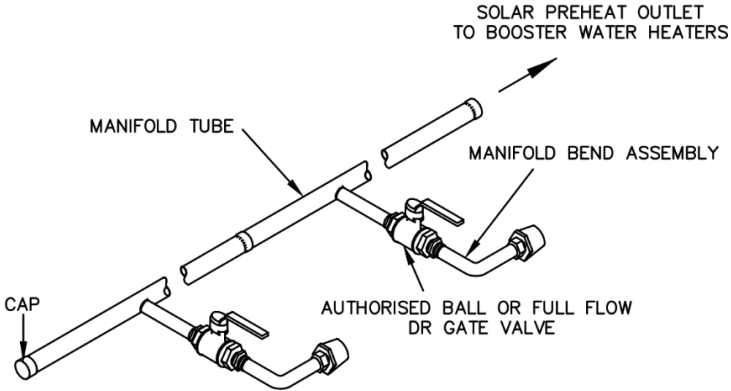
FIX ALL PIPES SECURELY
IN POSITION CENTRALLY
OVER TUNDISH



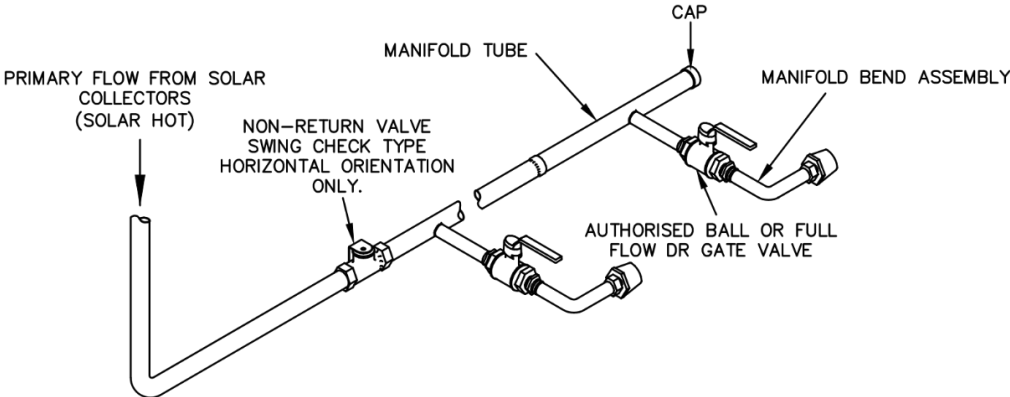
TO FINAL DISCHARGE OUTSIDE
BUILDING IN ACCORDANCE
WITH REQUIREMENTS OF
LOCAL AUTHORITIES.

**TPR Valve Drain Line
Common Discharge Point**

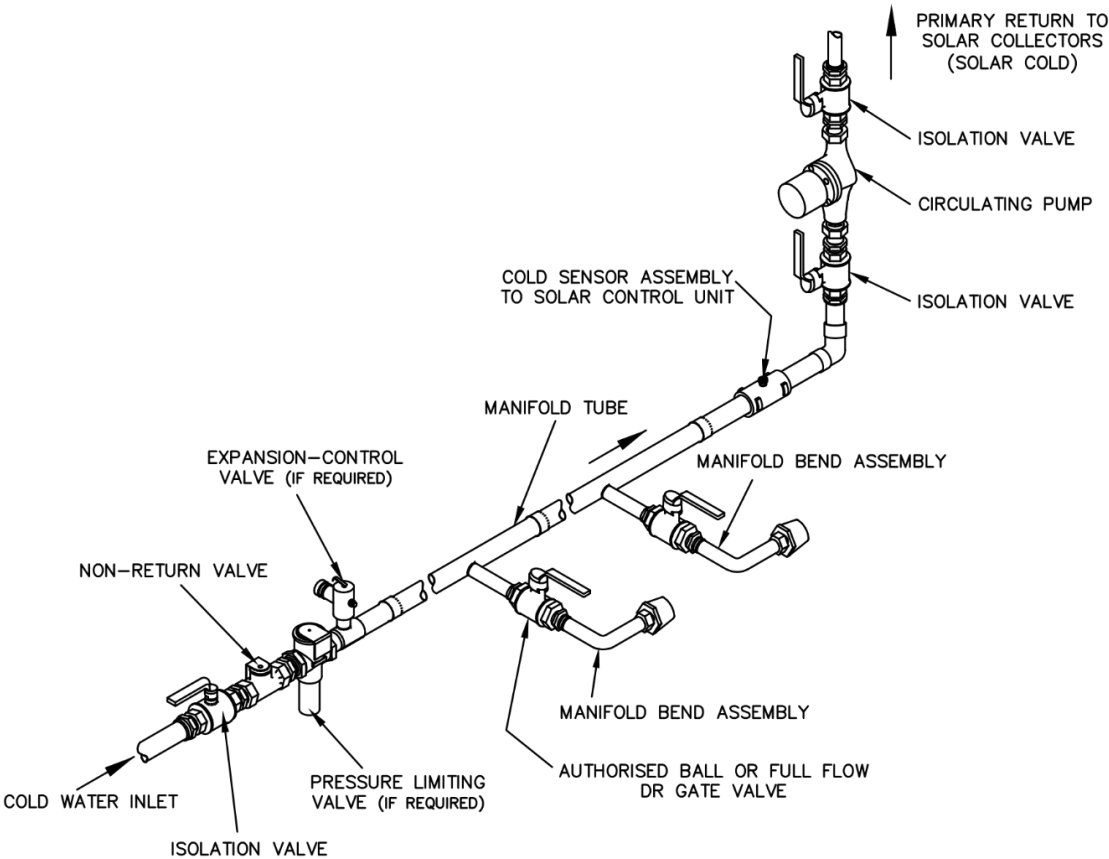
MANIFOLD ARRANGEMENT – SOLAR LOLINE INSTALLATION



Hot Manifold Assembly

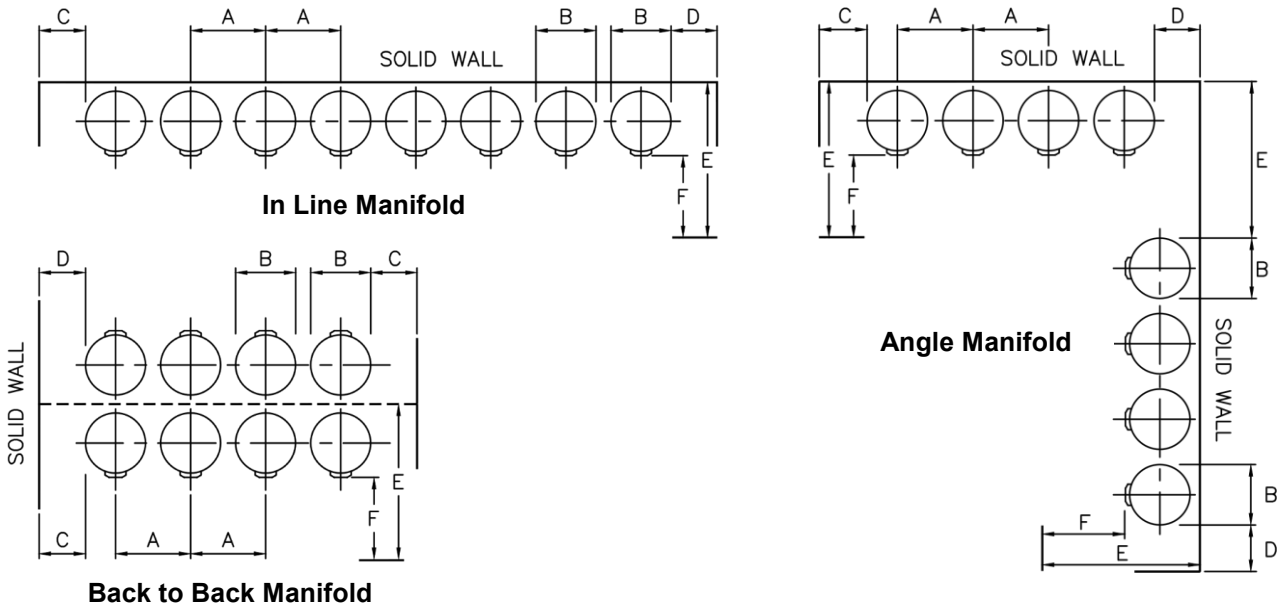


Solar Primary Flow Manifold Assembly



Cold Manifold Assembly

INSTALLATION DIMENSIONS – RHEEM COMMERCIAL STORAGE TANKS

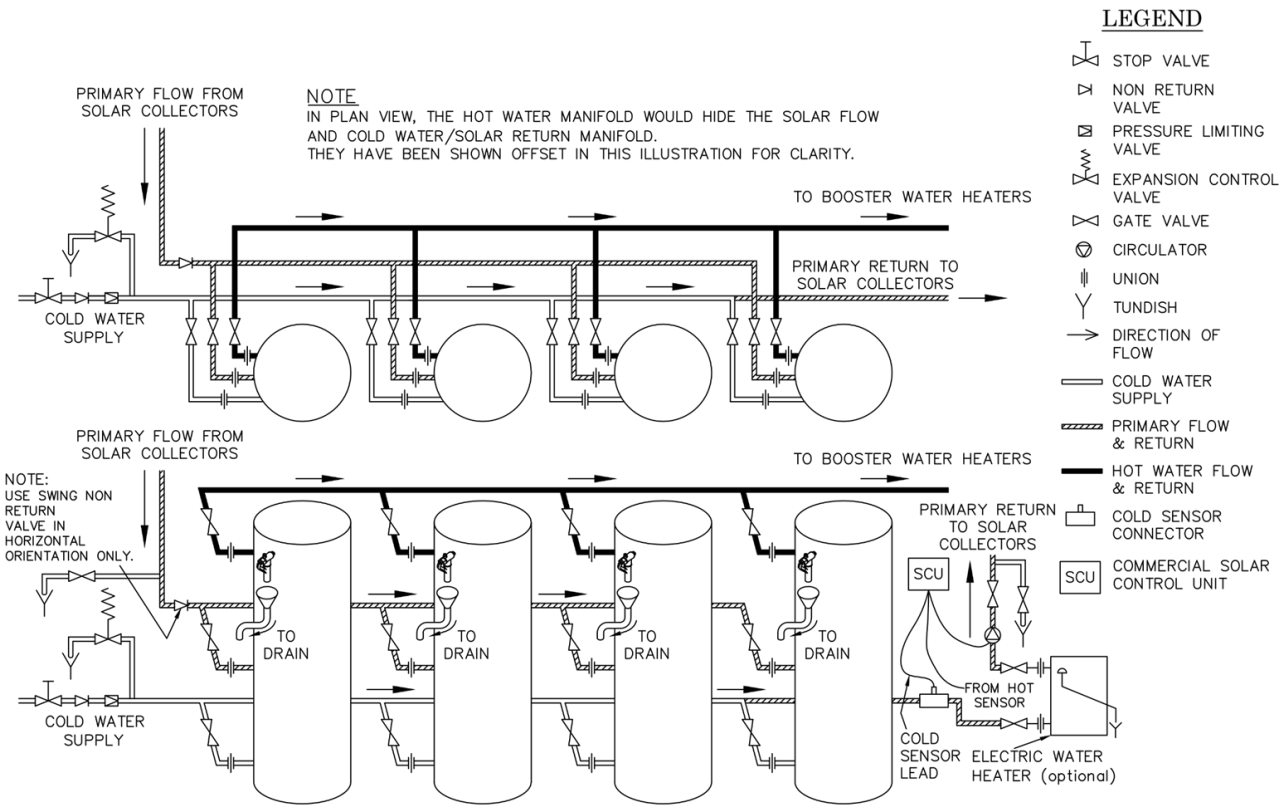


Notes

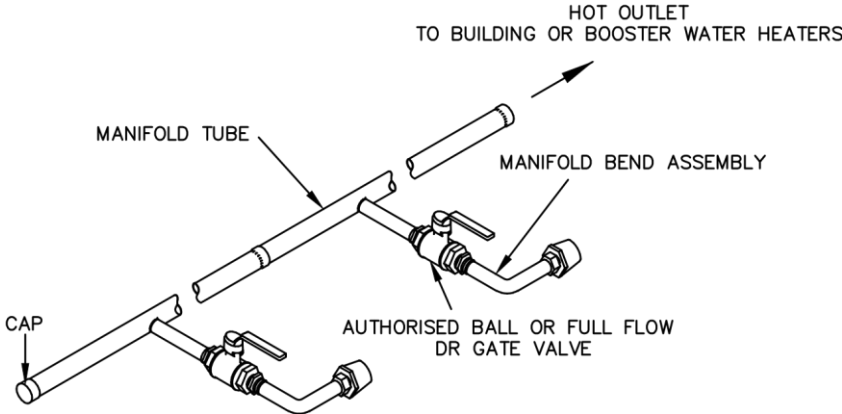
1. Minimum recommended space between wall and back of storage tank is 100 mm.
2. A minimum of 900 mm (E* & F*) should be left in front of the storage tank for access, servicing and storage tank removal.

Installation Layout Minimum Dimensions						
Model	A	B	C	D	E *	F *
610 340	900	640	300	100	1640	900
610 430	940	690	300	100	1690	900

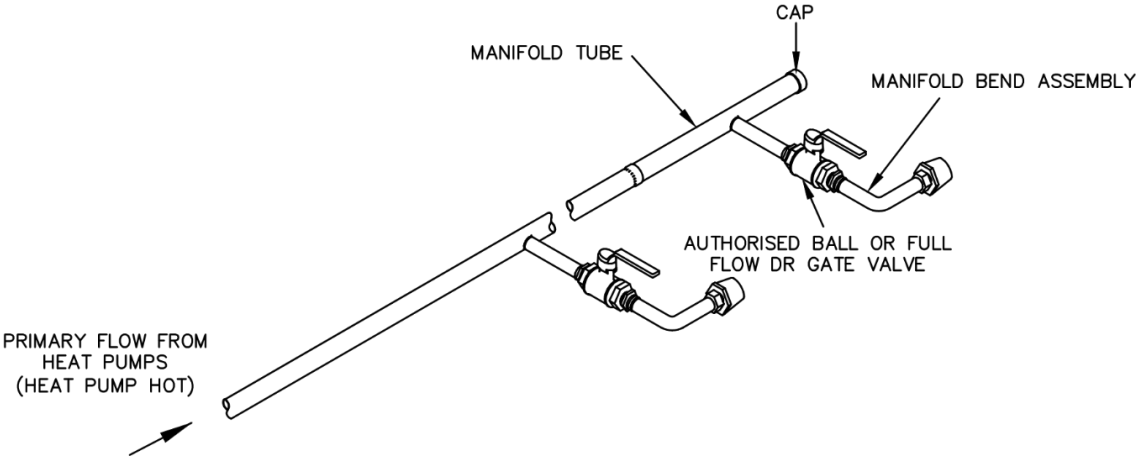
TYPICAL INSTALLATION – SOLAR Loline STORAGE TANKS



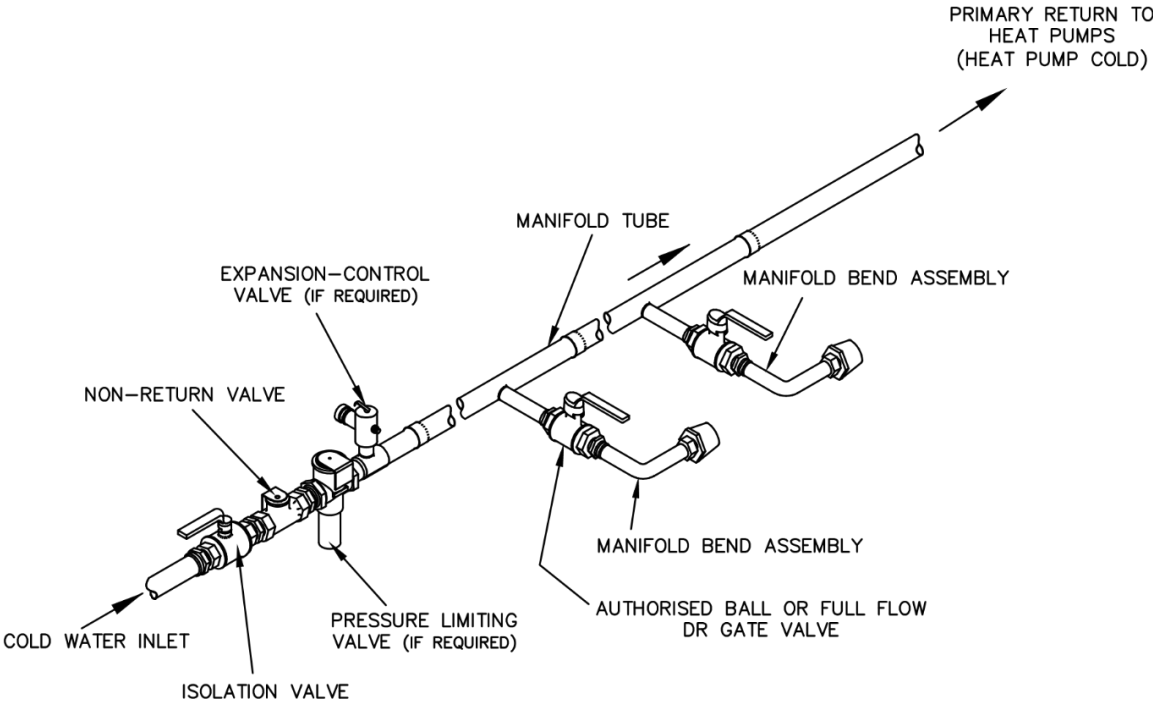
MANIFOLD ARRANGEMENT – HEAT PUMP STORAGE TANK INSTALLATION



Hot Manifold Assembly

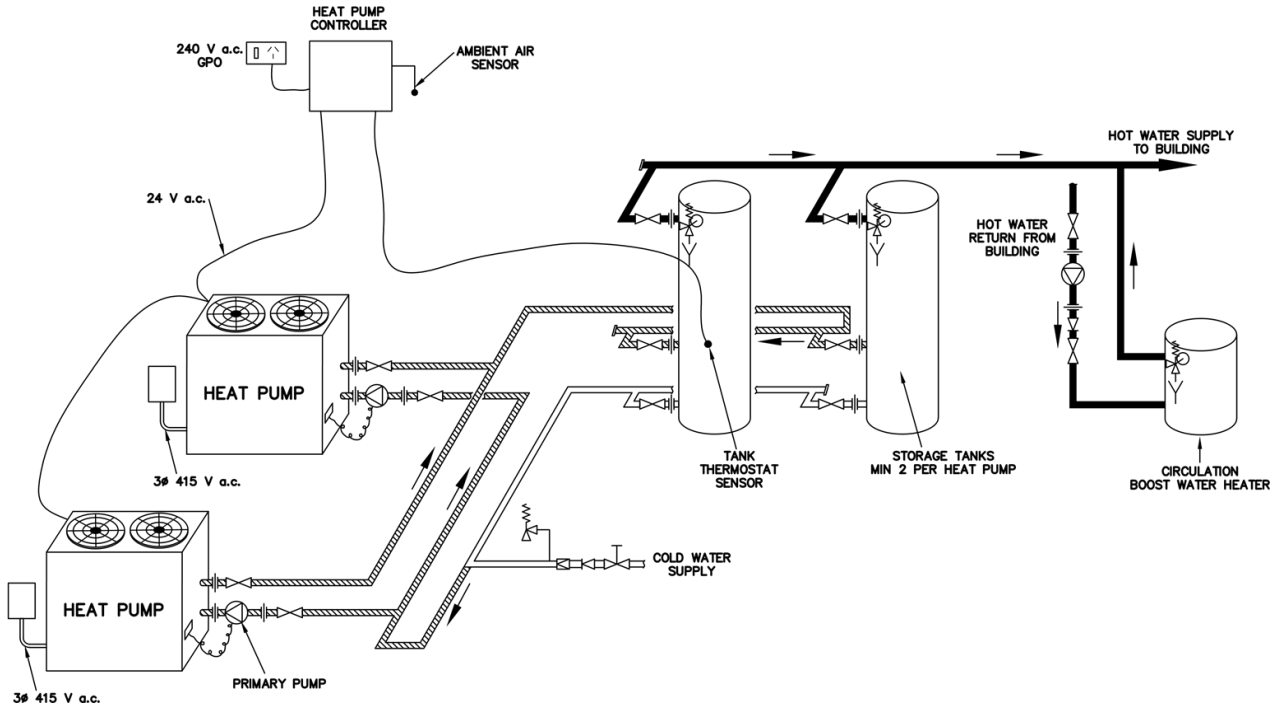


Heat Pump Primary Flow Manifold Assembly



Cold Manifold Assembly

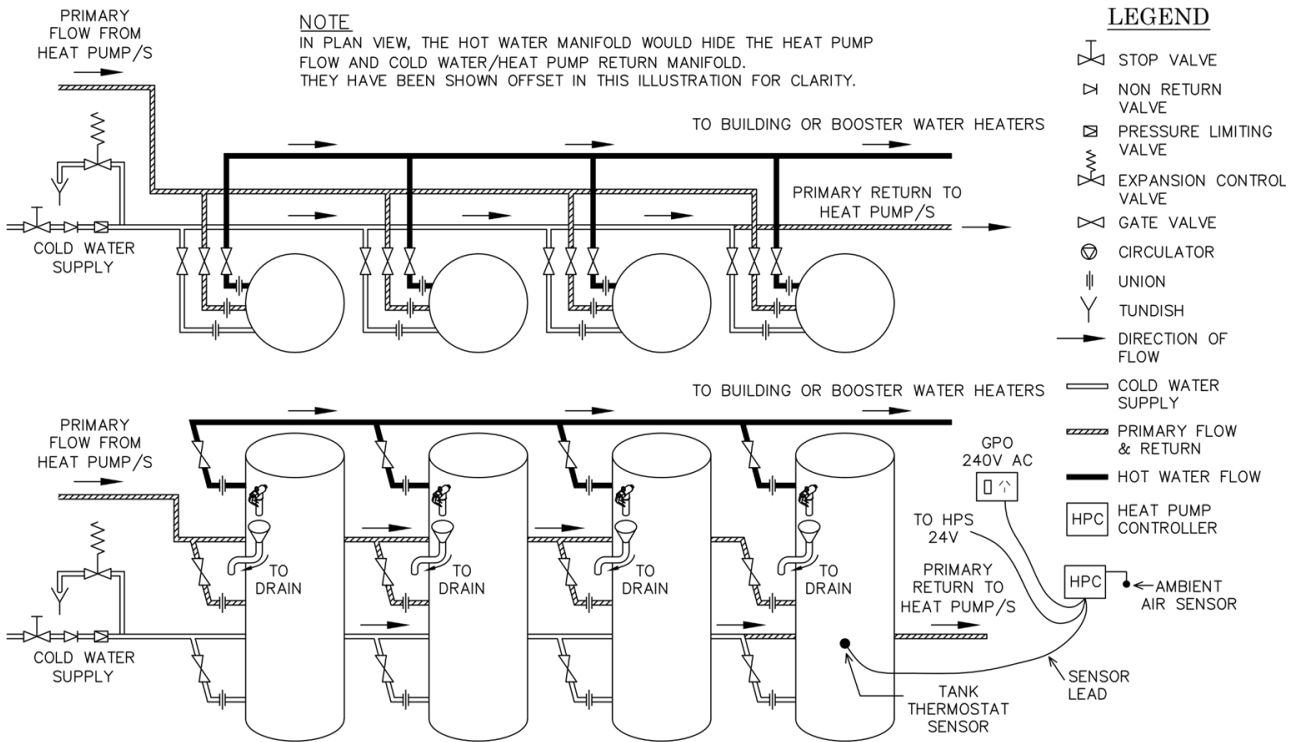
TYPICAL INSTALLATION – HEAT PUMP WATER HEATERS



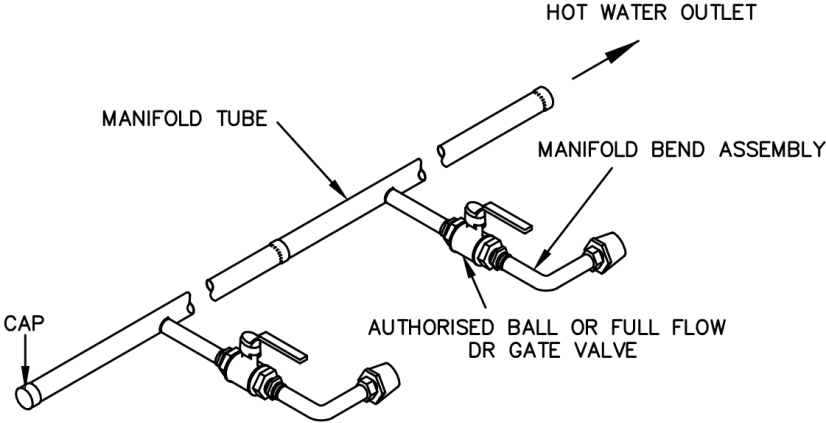
LEGEND

- | | | | |
|-------------------------|-------------------------|-------------------|-------------------------|
| STOP VALVE | EXPANSION CONTROL VALVE | UNION | COLD WATER SUPPLY |
| NON RETURN VALVE | GATE OR BALL VALVE | TUNDISH | PRIMARY FLOW & RETURN |
| PRESSURE LIMITING VALVE | CIRCULATOR | DIRECTION OF FLOW | HOT WATER FLOW & RETURN |

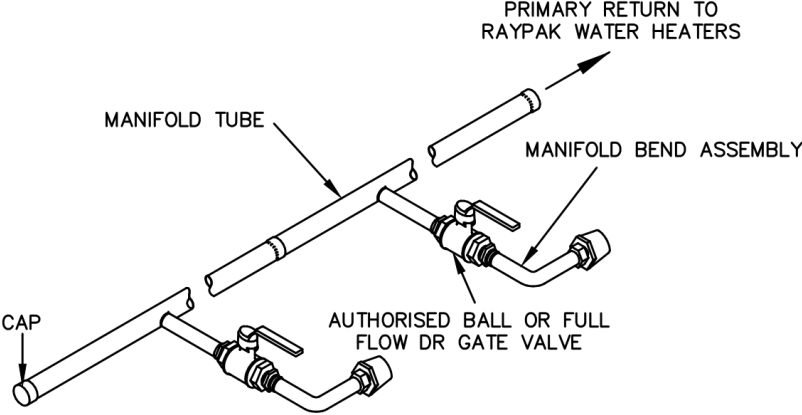
TYPICAL INSTALLATION – STORAGE TANKS FOR HEAT PUMPS



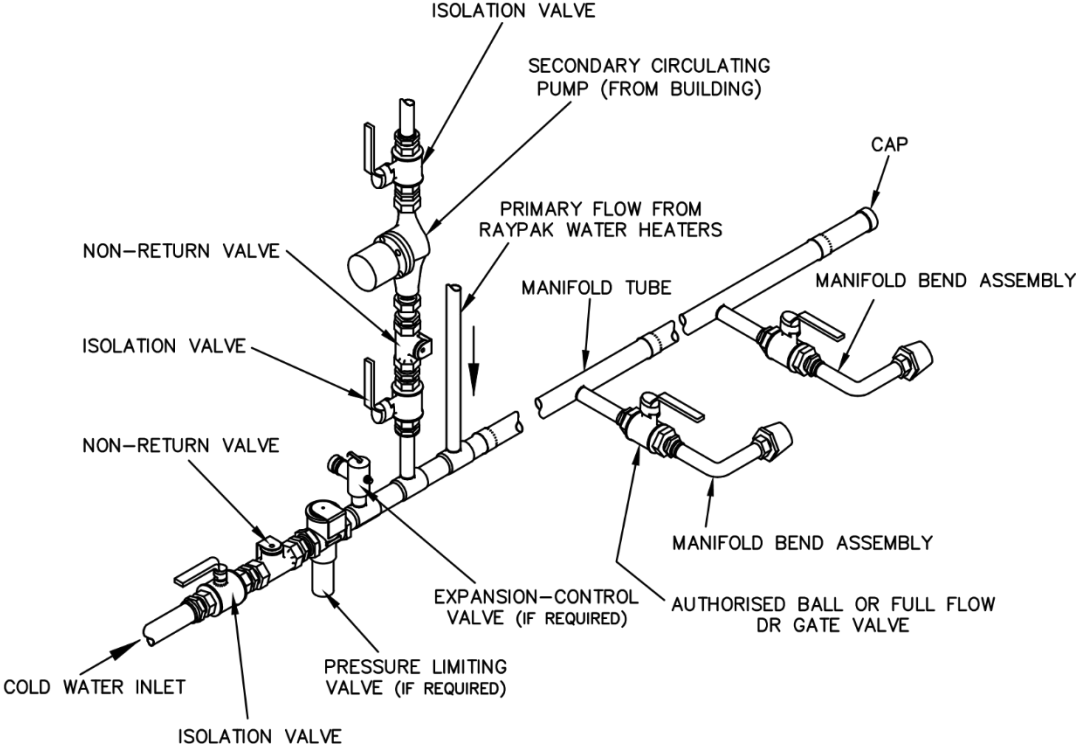
MANIFOLD ARRANGEMENT – RAYPAK INSTALLATION



Hot Manifold Assembly

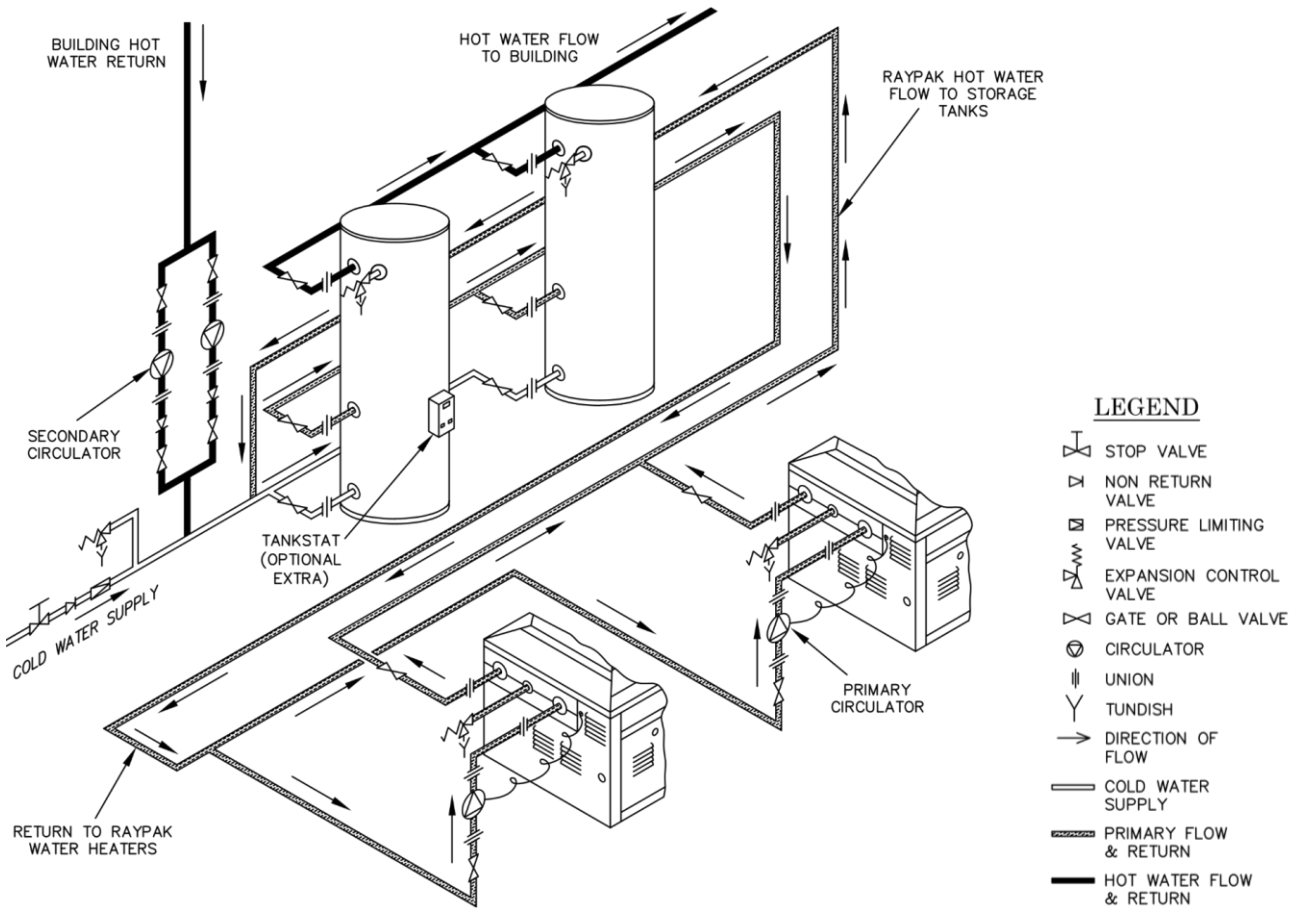


Heating Manifold Assembly

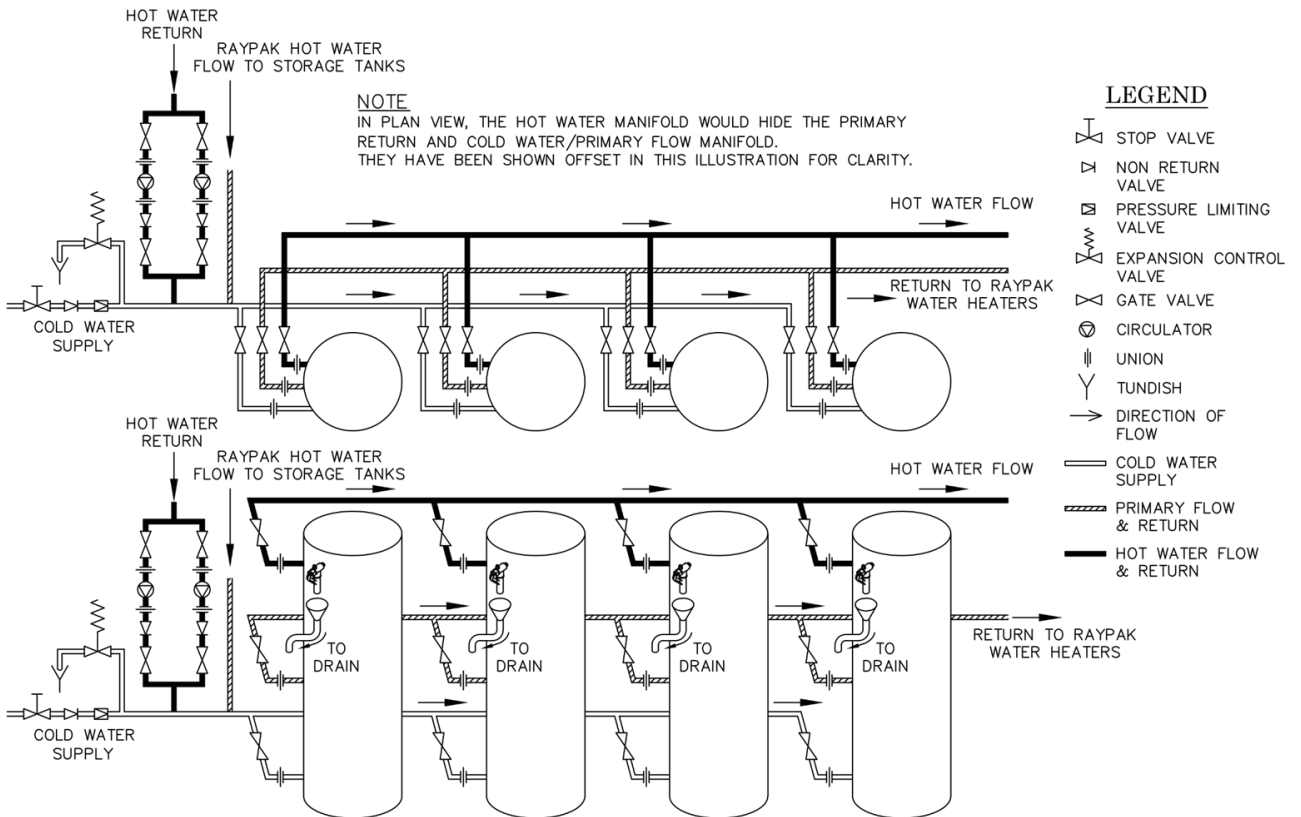


Cold Manifold Assembly

TYPICAL INSTALLATION – RAYPAK WATER HEATERS



TYPICAL INSTALLATION – STORAGE TANKS FOR RAYPAK



COMMISSIONING

TO FILL AND TURN ON THE STORAGE TANK

The power supply to the primary heating source and circulating pumps must not be switched on until the storage tank is filled with water and a satisfactory megger reading is obtained.

- Open all of the hot water tap(s) in the building (don't forget the shower(s)) and supply cock(s) and valve(s) in the system.
- Open the isolation valves fully on the cold, flow / return and hot water branches to the storage tank(s) installed in a bank.
- Open the cold water isolation valve on the cold water line to the storage tank(s).

Air will be forced out of the taps.

- Close each tap as water flows freely from it.
- Check the pipe work for leaks.
- Inspect for leaks at the temperature pressure relief valve connection to the water heater.

If a leak is detected, close the cold water isolation valve fully and relieve pressure from the water heater by either operating the easing lever on the temperature pressure relief valve or opening a hot tap. Remove the valve and all of its thread sealant from the threads of the valve. Reapply new thread sealant and refit the valve. Refer to the procedure in "[Temperature Pressure Relief Valve](#)" on page 25.

- Operate the easing lever on the temperature pressure relief valve to check the smooth operation of the valve plunger and that water discharges freely from the drain line. It is very important the lever is raised and lowered gently. The lever should move smoothly and without undue force.

If the lever cannot be moved or is jerky in its movement, then the valve has been damaged and must be replaced.

- Switch on the electrical supply at the isolating switch to the circulating pump(s) and turn on the primary water heating plant.
- When the system has reached its working temperature, check the pipe work again for leaks.

Explain to a responsible officer the functions and operation of the water heating system. Upon completion of the installation and commissioning of the water heating system, leave this guide with a responsible officer.

TO TURN OFF THE STORAGE TANK

If it is necessary to turn off the storage tank on completion of the installation, such as on a building site or where the premises is vacant, then:

- Shut down the primary water heating plant and switch off the electrical supply at the isolating switch to the circulating pump(s).
- Close the cold water isolation valve on the cold water line to the storage tank(s) to shut down the entire system, or;
- Close the isolation valves on the cold, flow / return and hot water branches to shut down an individual storage tank in a bank.

DRAINING THE STORAGE TANK

⚠ Warning: Exercise care, as water discharged from the storage tank may be of a very high temperature.

To drain the storage tank:

- Turn off the storage tank (refer to [“To Turn Off The Storage Tank”](#) on page 37).
- Close all hot water taps.
- Operate the relief valve release lever - do not let the lever snap back or you will damage the valve seat.
Operating the lever will release the pressure in the storage tank.
- Undo the union at the cold water inlet to the storage tank and attach a hose to the storage tank side of the union.

Let the other end of the hose go to a drain.

- Operate the relief valve again.

This will let air into the storage tank and allow the water to drain through the hose.

This page is intentionally blank.

