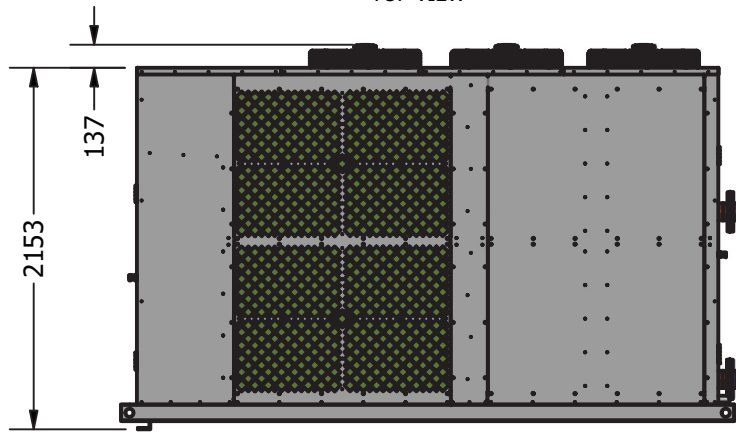
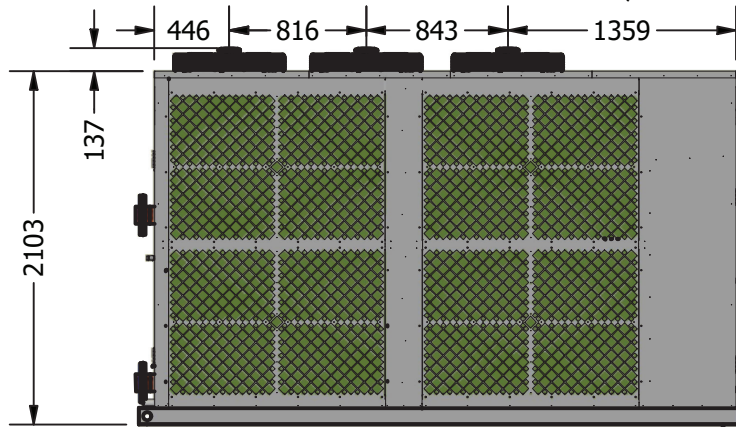


TOP VIEW

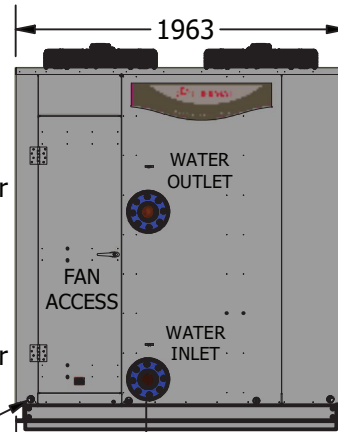


SIDE VIEW

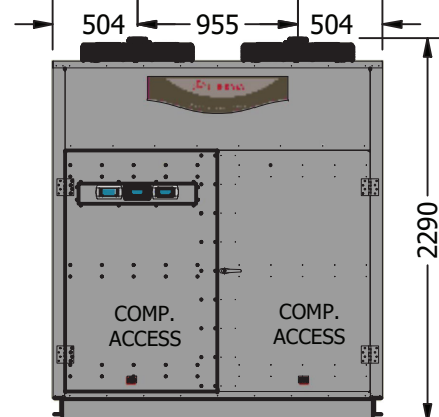
Ø40 DRAIN (x4)



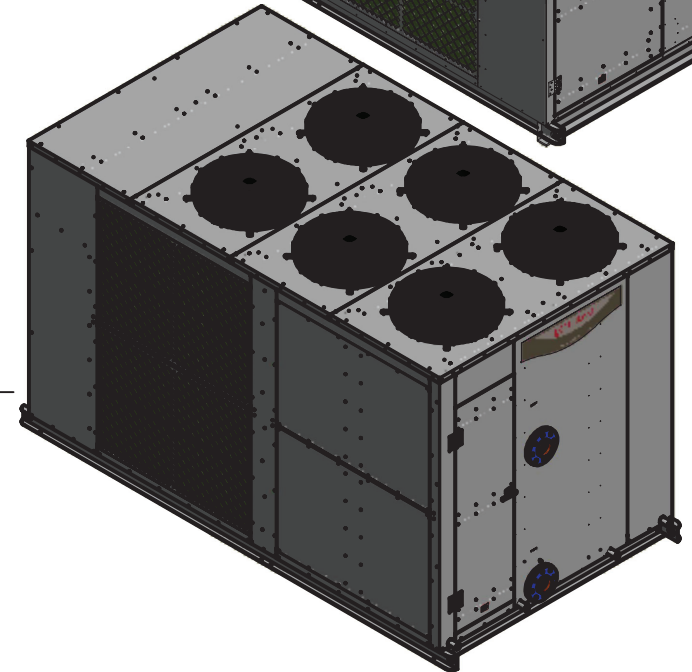
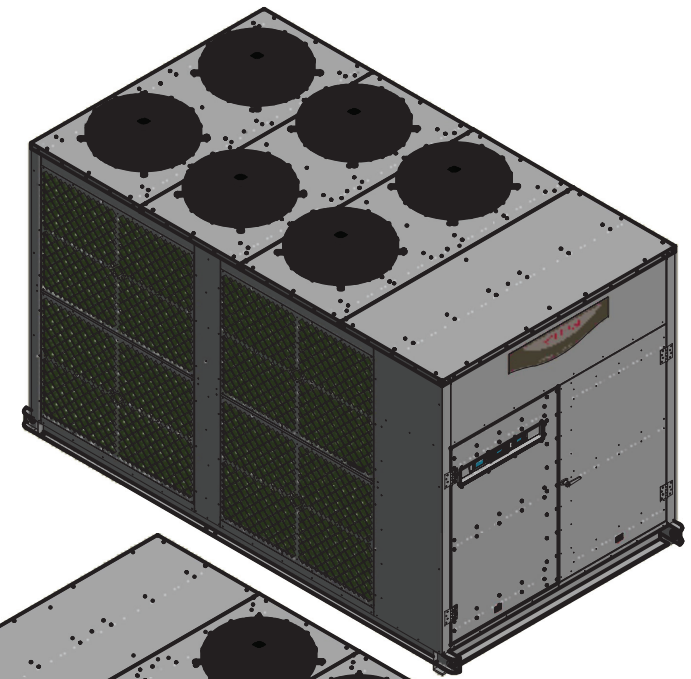
SIDE VIEW
3649



END VIEW



END VIEW



Rheem

THERMAL SYSTEMS GROUP

SHEET 1 OF 4

Description:		RHEEM A2W HWHP 152kW R134a 3P	
Part No:	953152D#-DQV-1	Rev.	
Material:	As Above	Date:	15/02/2023
Drawn By:	jpb	Checked By:	
General Tolerance:	Sheetmetal - Cut Size - ± 0.5mm, Angle - ± 0.5°, Bend size - ± 0.3mm Tubes - Dimensions ± 2, Angle ± 2°		Scale: N.T.S

REV	ECN	DESCRIPTION	DATE