

Rheem Gas Indoor 170L

800170

3 - 5

PEOPLE

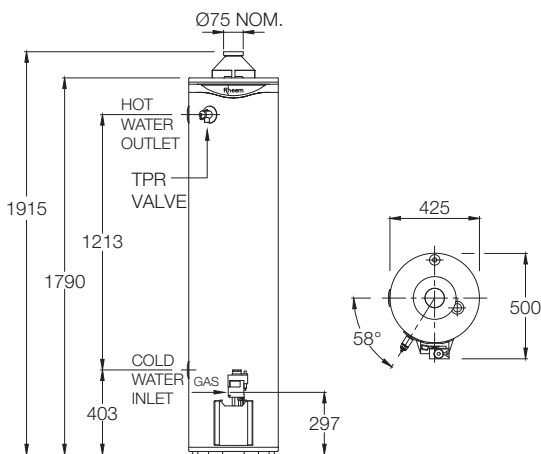
Indoor

INSTALLATION



Features & Benefits

- Suitable for indoor installations
- Mains pressure – to service multiple hot water demand at once
- An easy replacement for most existing 3 Star internal models
- Two anodes
- Natural gas model
- Australian made
- 10 year cylinder warranty¹



MODEL	800170
Storage Capacity (L)	170
Hourly Recovery (L)	126
Gas Consumption (MJ/hr)	30
Relief Valve Pressure (kPa)	1400
Expansion Control Valve (kPa)	1200
Max Water Supply Pressure:	
with ECV (kPa)	960
without ECV (kPa)	1120
Water Connections	Rp ³ / ₄
Gas Connection	Rp ¹ / ₂
Approx. Weight (packaged) kg	65



Scan code for details & installation instructions

