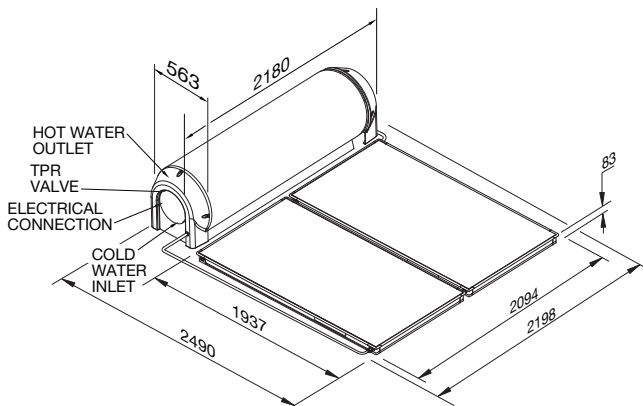




Features & Benefits

- Suitable for temperate or tropical location
- Stainless steel cylinder
- The 52L Series system directly heats the water as it passes through the collectors
- Booster – choice of electric element or 6-Star continuous flow gas
- Available in four COLORBOND® Steel colours
- Eligible for STCs⁵
- 7 year cylinder warranty¹ with NPT200 collectors*
- 10 year cylinder warranty¹ with L, CSA2007 collectors*



* Available through Rheem Solar Specialists only

MODEL	52L300
Storage Capacity (L)	300
Solar Collectors	2 NPT200, L, CSA2007
Booster Type	Electric or Gas
Weight Empty (kg) - Tank	79
Solar Collector (kg each)	36
Water Connections	DN15 Compression



Scan code for details & installation instructions

